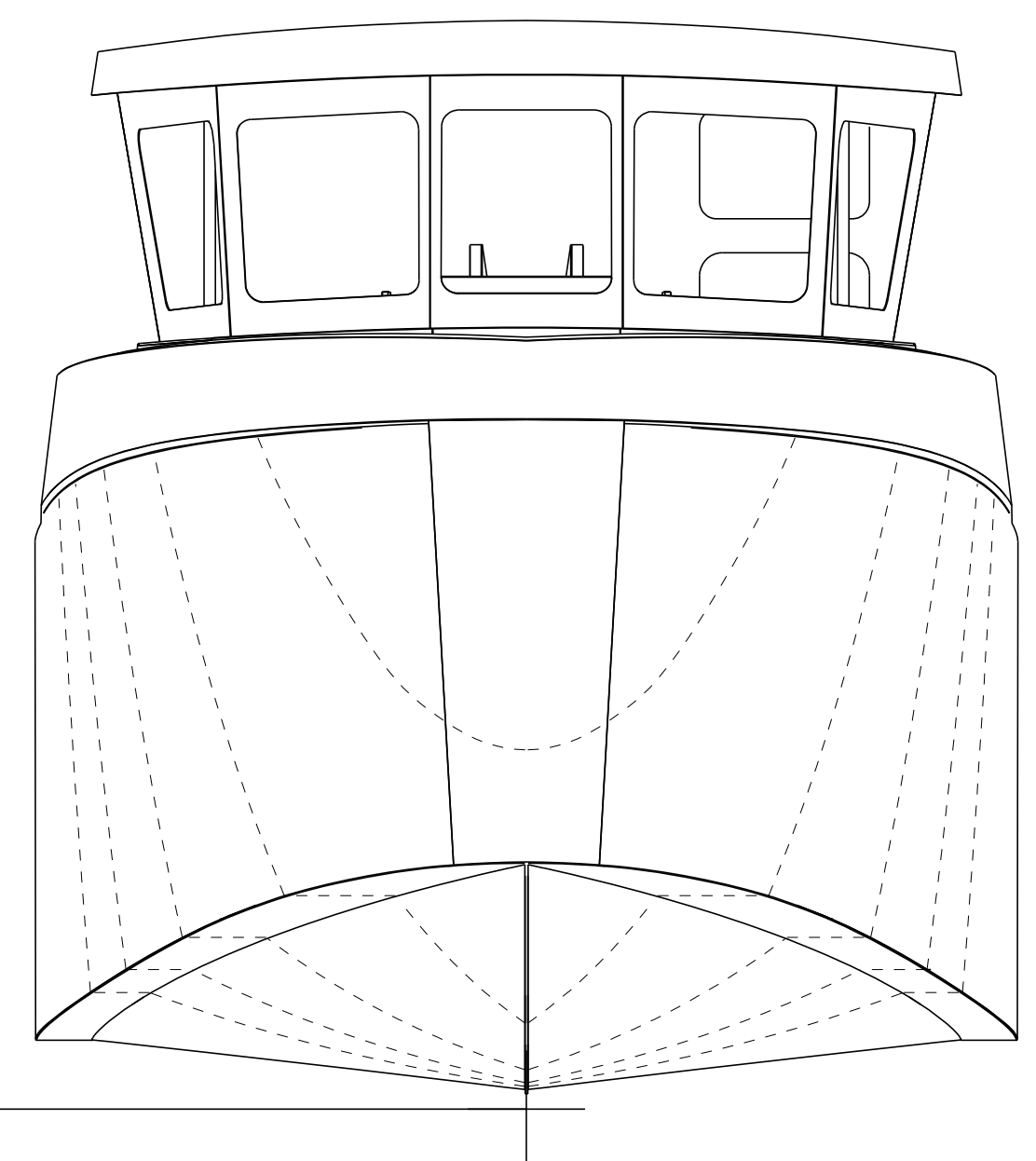
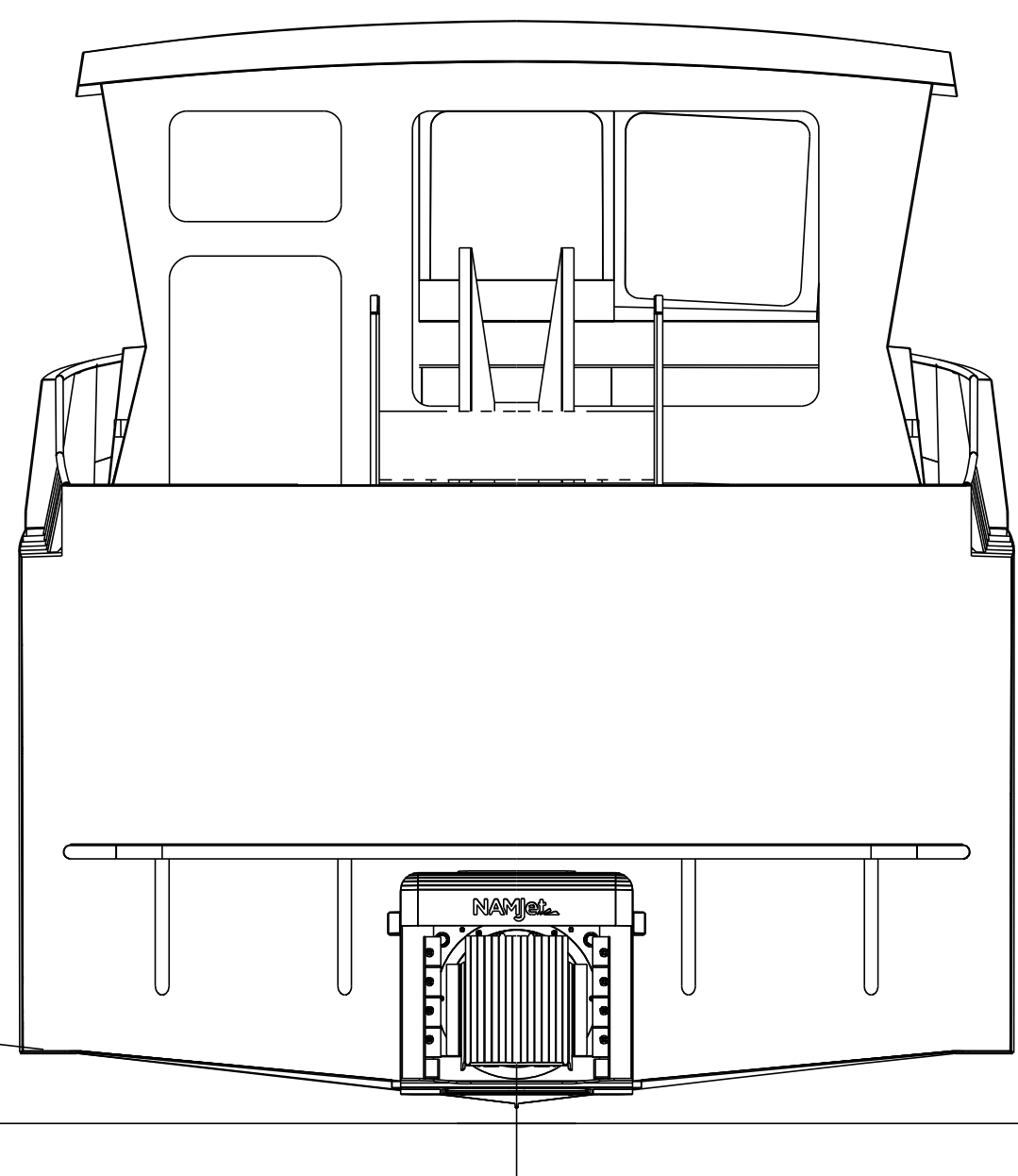
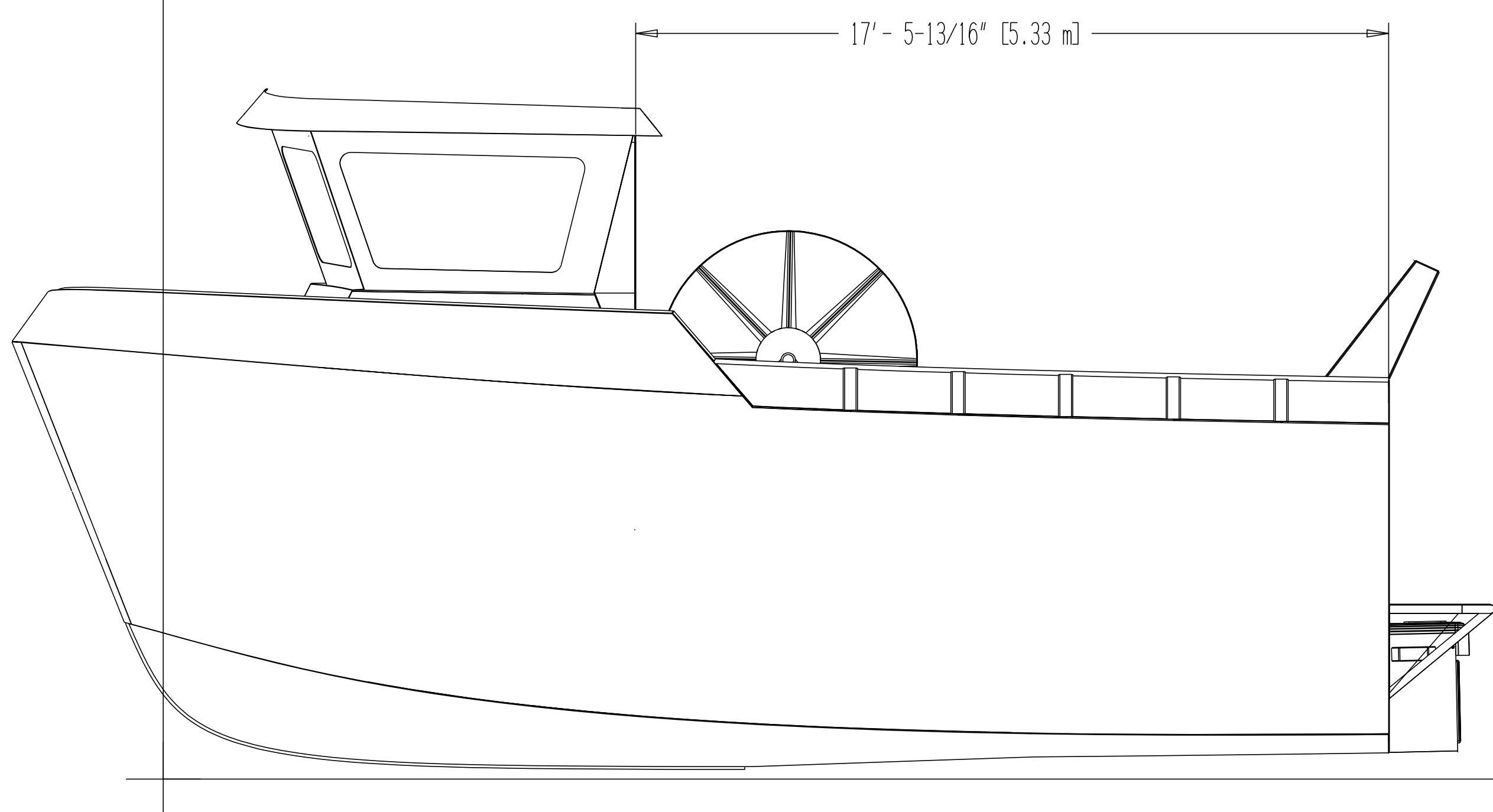
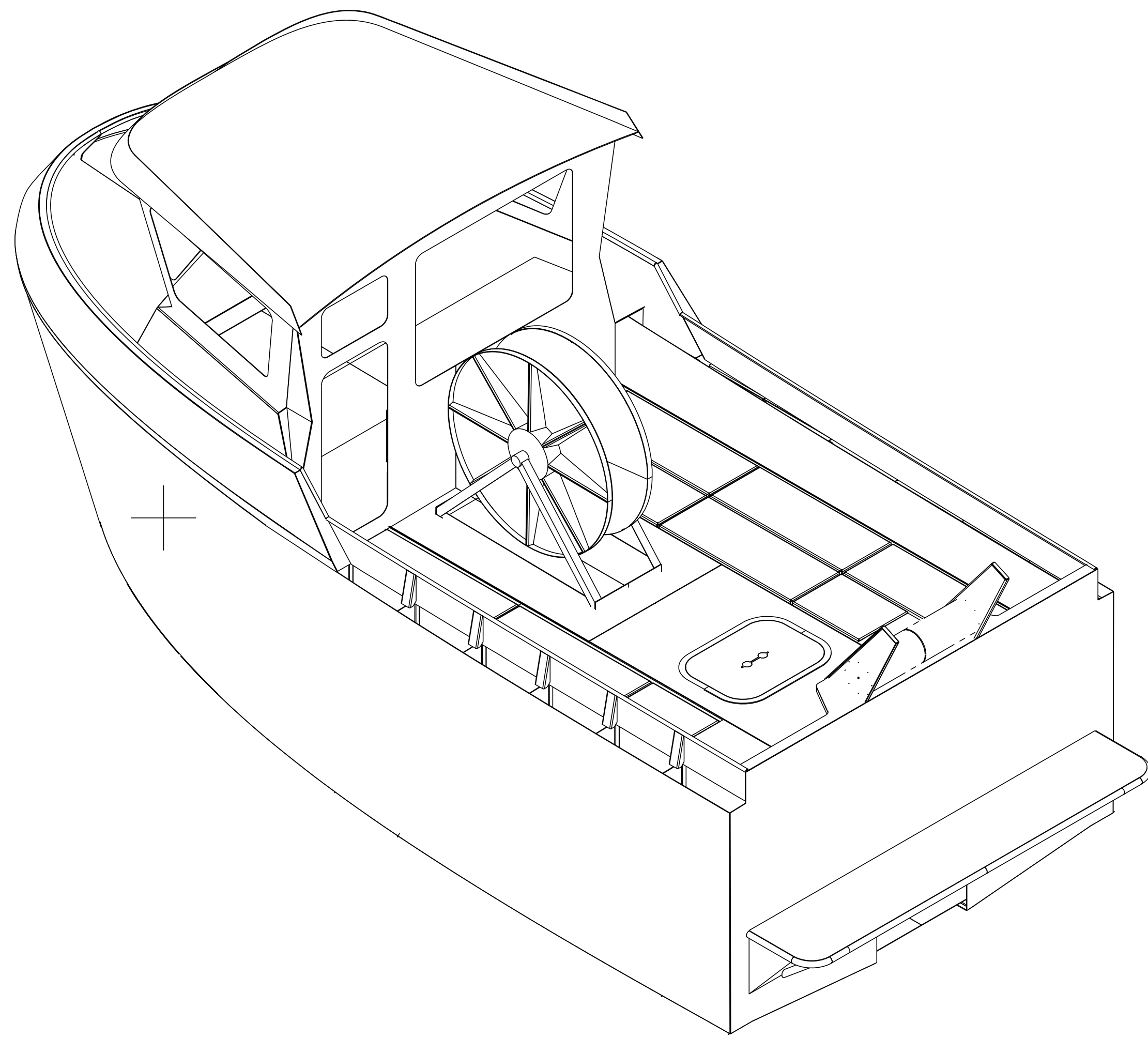


PLAN



1/9/2019

THESE PLANS, ACCOMPANYING INSTRUCTIONS, AND/OR SPECIFICATIONS GRANT THE PURCHASER OR CLIENT OF RECORD RIGHTS TO BUILD ONE BOAT THEREFROM. ALL DESIGN MATERIALS REMAIN THE PROPERTY OF SPECIALTY MARINE. WHETHER WORK FOR WHICH THEY ARE MADE BE CONSTRUCTED OR NOT, AND POSSESSION OF ANY OF THESE MATERIALS DOES NOT CONSTITUTE AUTHORITY FOR CONSTRUCTION, REPRODUCTION OR DUPLICATION OF ANY MATERIAL HEREIN IN ANY FORM AS A VIOLATION OF COPYRIGHT UNLESS AUTHORIZED WITH WRITTEN PERMISSION FROM SPECIALTY MARINE.

COPYRIGHT	SPECIALTY MARINE PO Box 1081, Scappoose, OR, 97056		REV B
	32 X 14.5 BRISTOL BAY GILLNETTER		
SIZE FSDM NO.	DWG NO.	2503 INTERNET VIEWS	
SCALE 3/8"=1'-0"		SHEET	