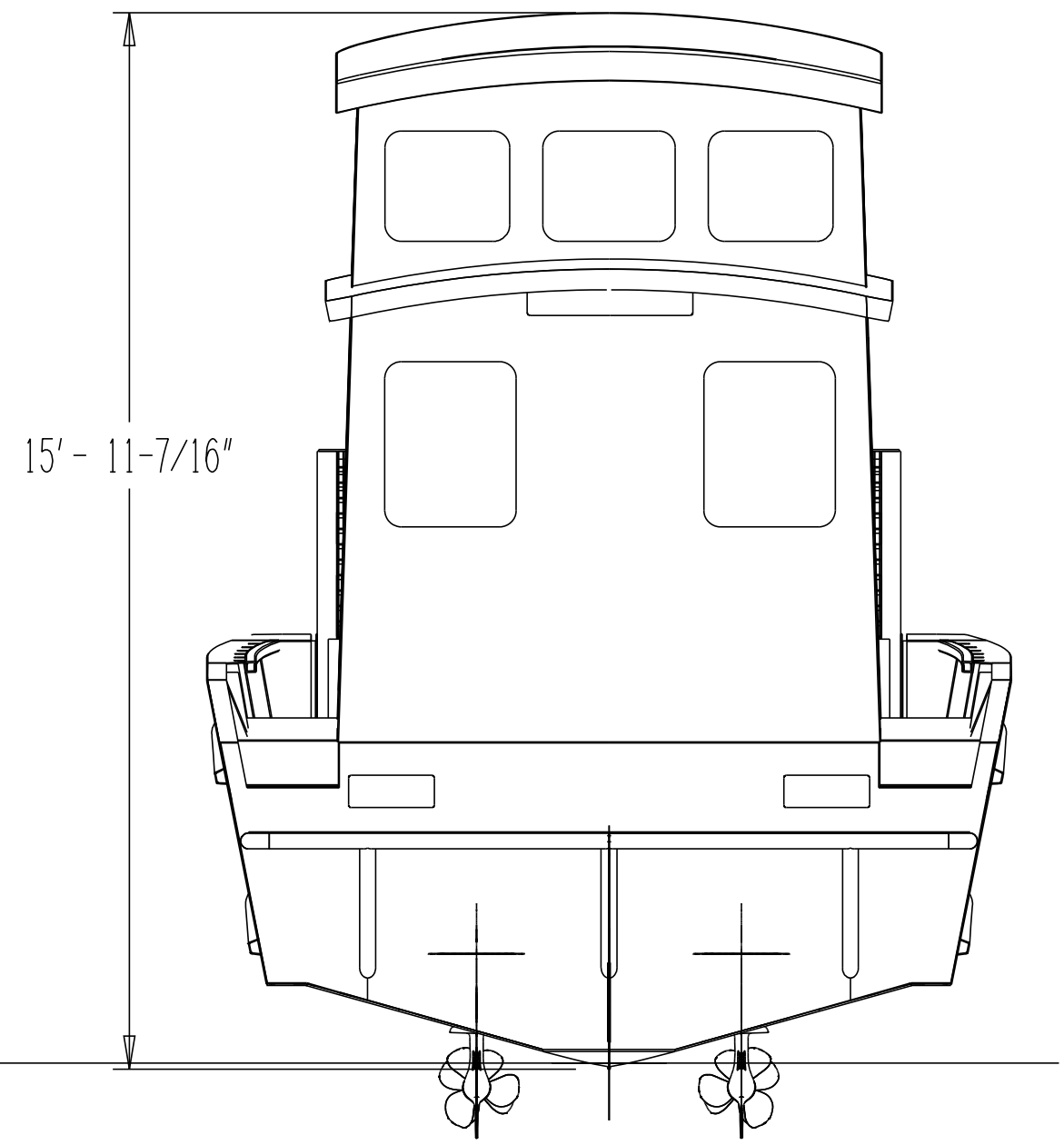
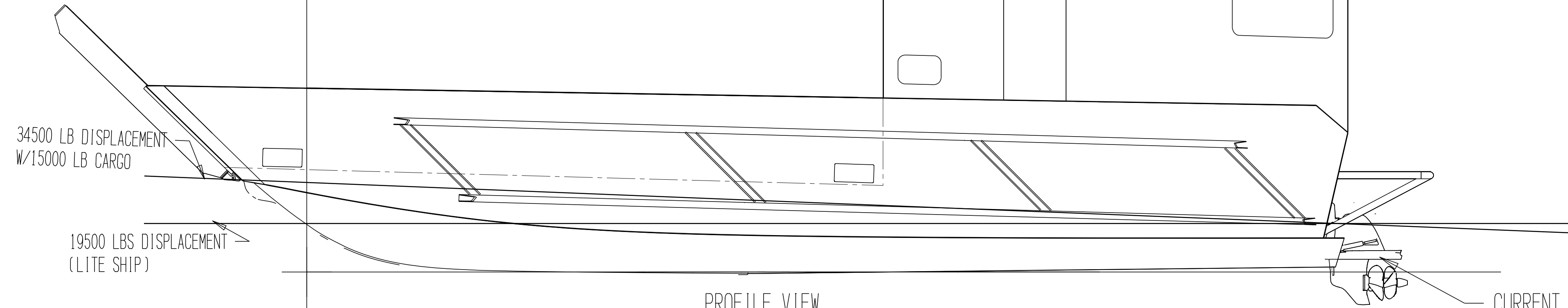
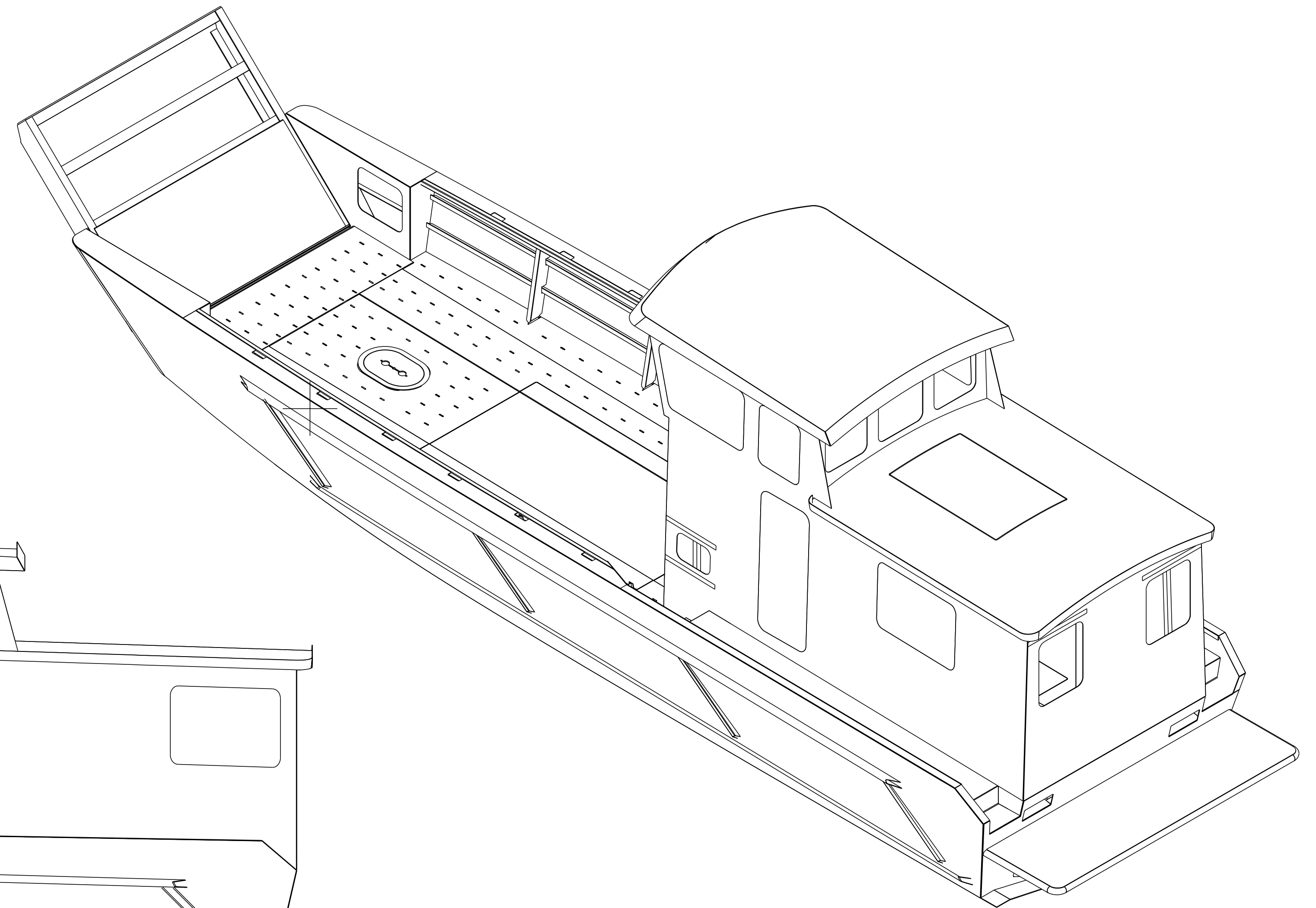


BOW VIEW

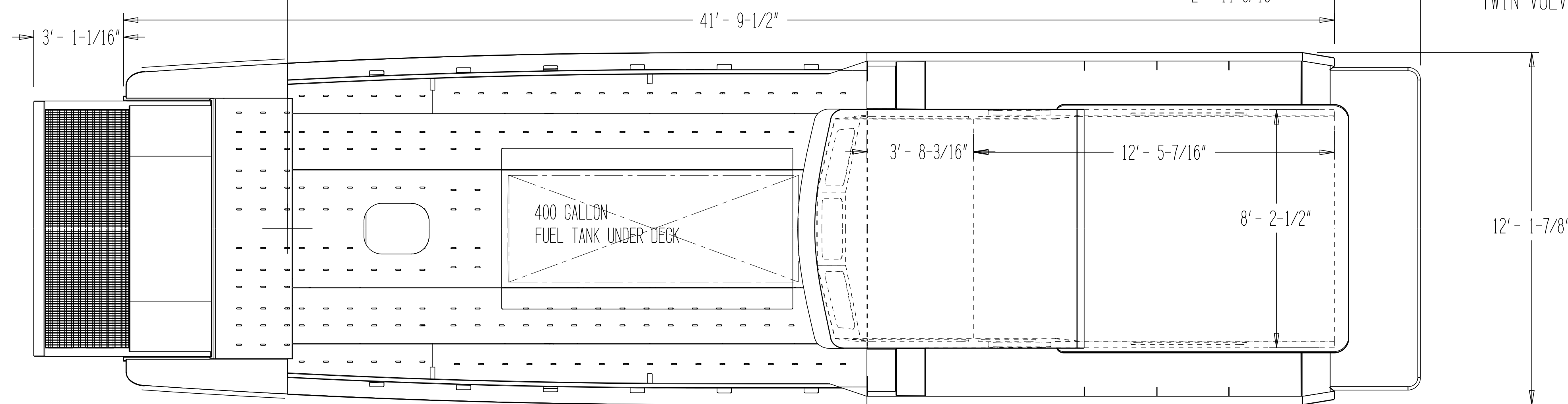


AFT VIEW




PROFILE VIEW

CURRENT CONFIGURATION
TWIN VOLVO D4 225 HP DIESEL MOTORS AND DPH OUTDRIVES



PLAN VIEW

THESE PLANS, ACCOMPANYING INSTRUCTIONS, AND/OR SPECIFICATIONS GRANT THE PURCHASER OR CLIENT OF RECORD RIGHTS TO BUILD ONE BOAT THEREFROM. ALL DESIGN MATERIALS REMAIN THE PROPERTY OF SPECIALTY MARINE. WHETHER WORK FOR WHICH THEY ARE MADE BE CONSTRUCTED OR NOT, AND POSSESSION OF ANY OF THESE MATERIALS DOES NOT CONSTITUTE AUTHORITY FOR CONSTRUCTION, REPRODUCTION OR DUPLICATION OF ANY MATERIAL HEREIN IN ANY FORM AS A VIOLATION OF COPYRIGHT UNLESS AUTHORIZED WITH WRITTEN PERMISSION FROM SPECIALTY MARINE.

| | | | |
|-----------|--|--|-----------------------------|
| COPYRIGHT | | SPECIALTY MARINE  | |
| | | PO Box 1081, Scappoose, OR, 97056 | |
| 5/2/2018 | | 42 X 12 LANDING CRAFT | |
| | | SIZE FSDM NO. | DWG NO. 2183 INTERNET VIEWS |
| | | SCALE 3/8"=1'-0" | REV A |
| | | SHEET | |