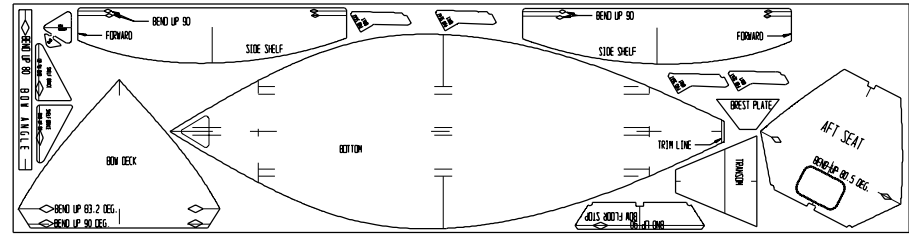
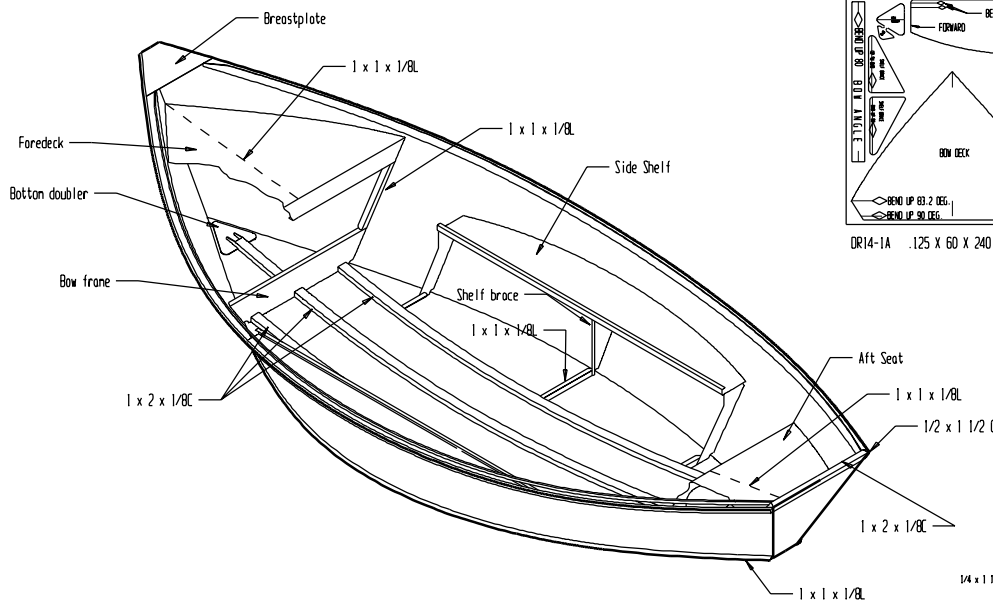
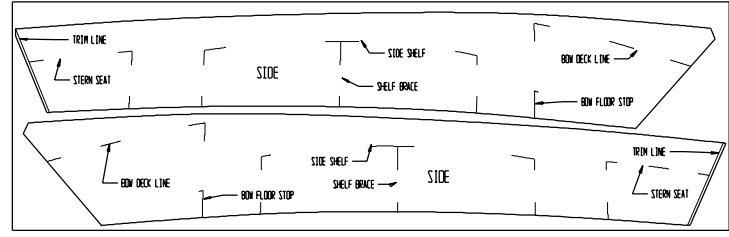


B 7 6 5 4 3 2 1



DR14-1A .125 X 60 X 240 5052H32 REVISED 4/1/97



DR14-2A .125 X 60 X 192 5052-H32 REVISED 4/2/97

THESE PLANS, ACCOMPANYING INSTRUCTIONS, AND/OR SPECIFICATIONS, GRANT THE PURCHASER OR USER OF THESE BOATS THE RIGHT TO BUILD ONE BOAT THEREFROM. ALL DESIGN MATERIALS REMAIN THE PROPERTY OF SPECIALTY MARINE. WHETHER MADE FOR WHOLESALE OR RETAIL. THESE BOATS ARE NOT TO BE REPRODUCED OR COPIED IN ANY MANNER WITHOUT THE WRITTEN PERMISSION OF SPECIALTY MARINE.

- NOTES:
1. All aluminum sheet is 1/8" alloy 5052-H32.
  2. Lightly deburr all cut edges using a deburring tool, or die grinder. Prepare all welding joints in accordance with good boat building practice.
  3. The gunnel detail shown is a suggestion. Other gunnel configurations can be used to suite boat builder.
  4. Aluminum flat bar, channel, or angle can be of aluminum alloy 6061-T6.
  5. This drawing is intentionally distorted so do not attempt to scale drawing.
  6. See drawing C033101 for details on locker and operators seat.

\* Distance between hull sides at shelf mid brace, used for initial check of boat shape.

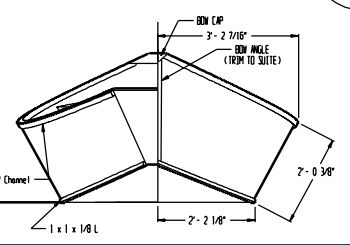
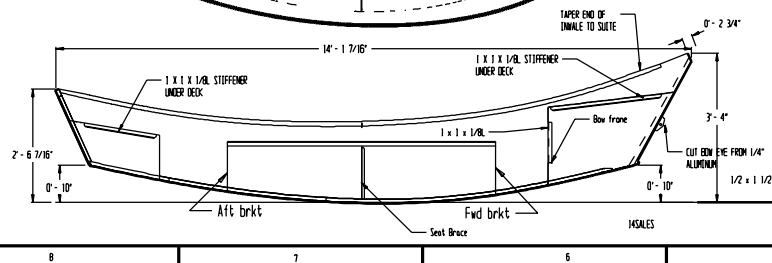
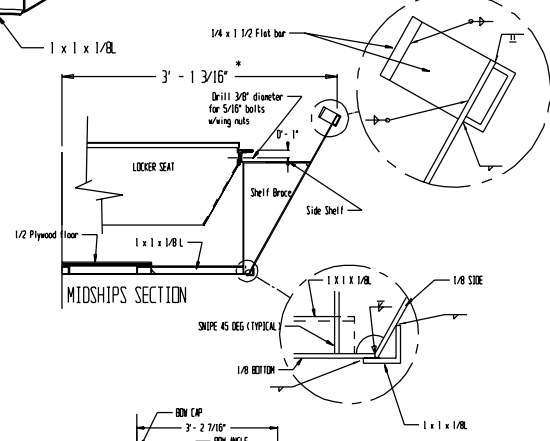
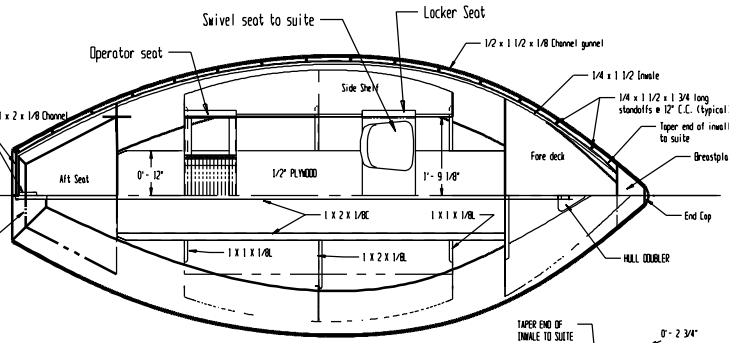


Revised 5/23/97

SPECIALTY MARINE

14 Ft DRIFTBOAT

SIZE	FSN NO.	QTY NO.	REV
1/16"		C033001.PRT	
SCALE	N/S		SHEET



B 7 6 5 4 3 2 1