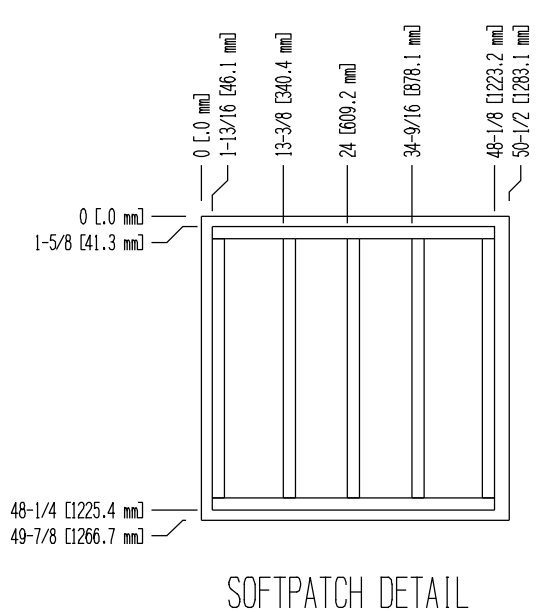
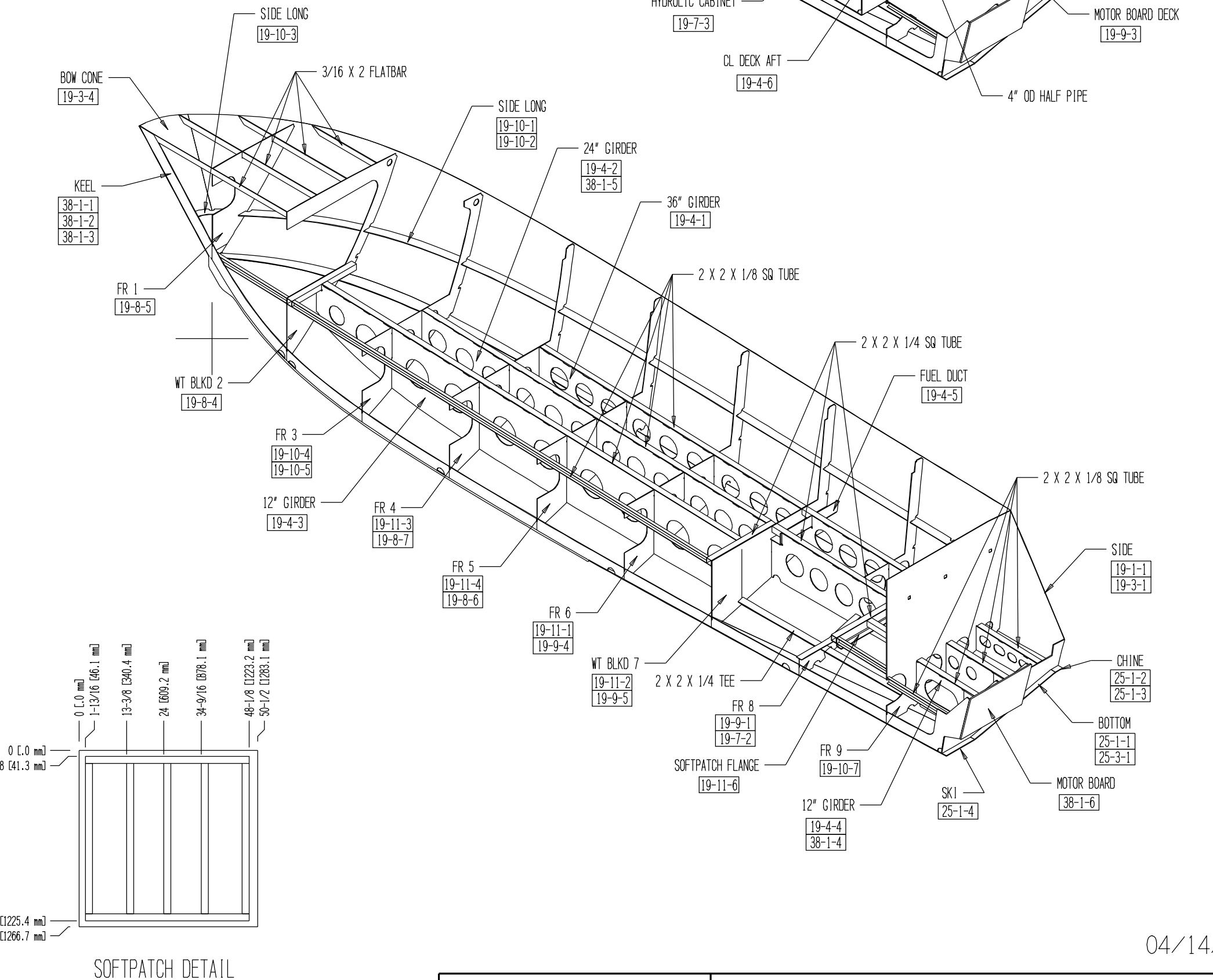
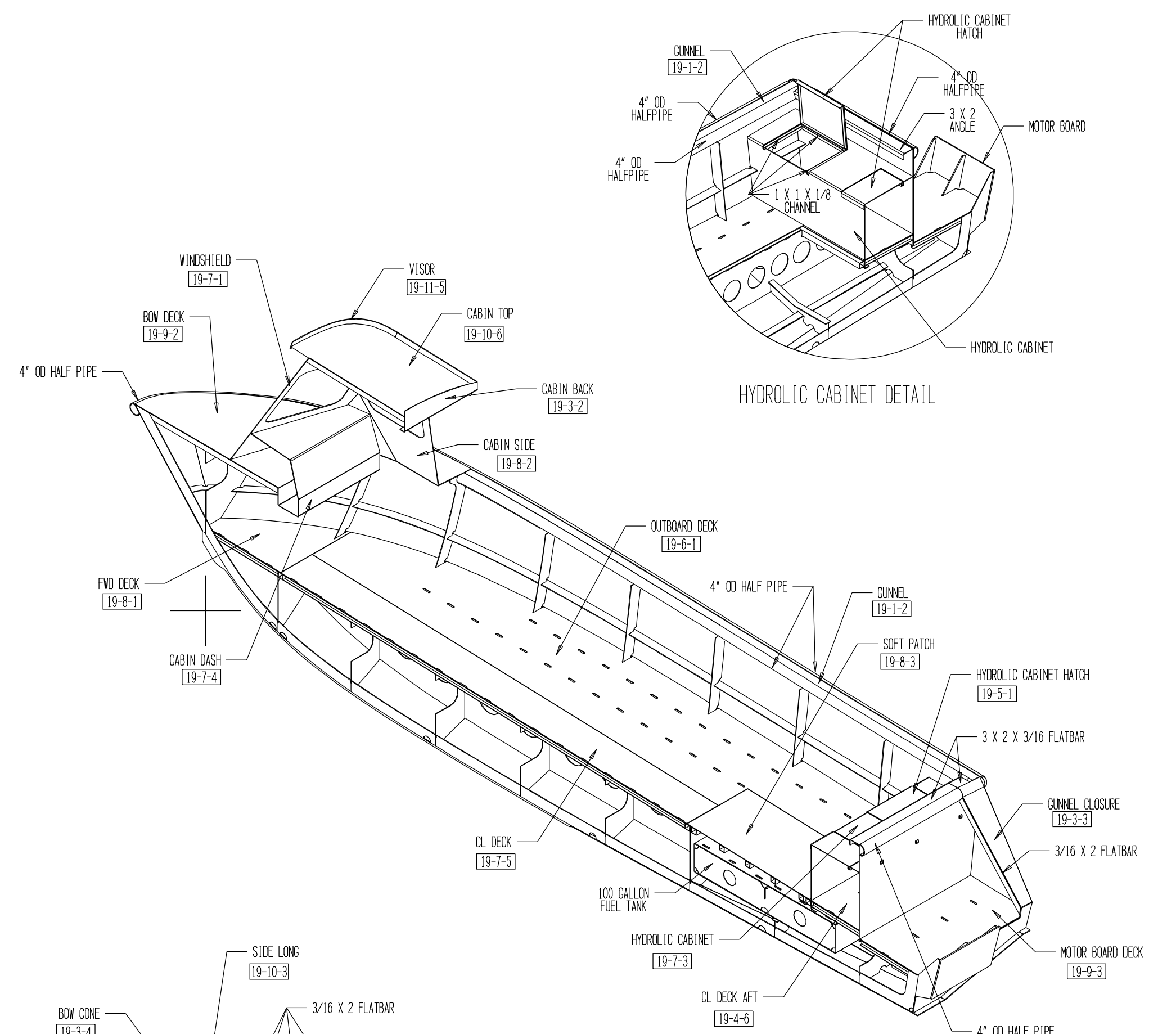
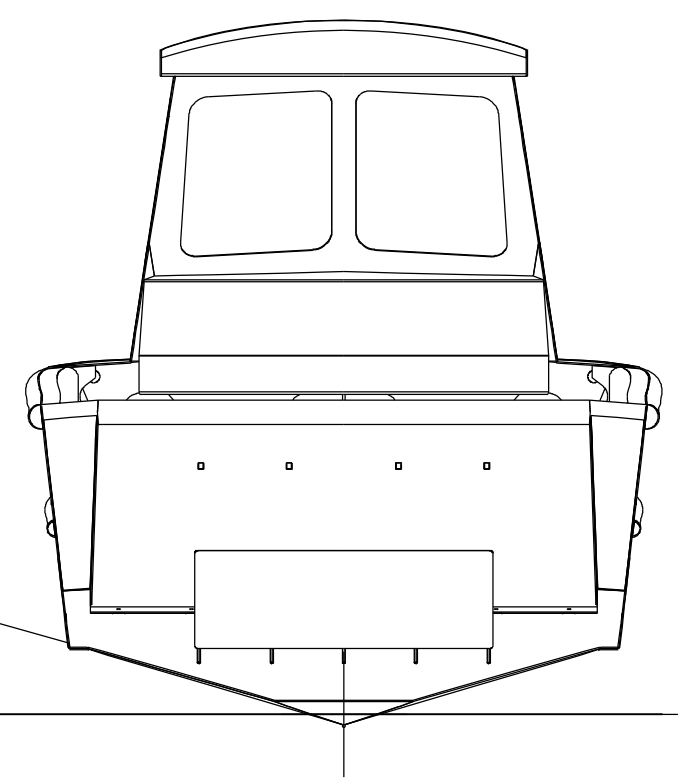
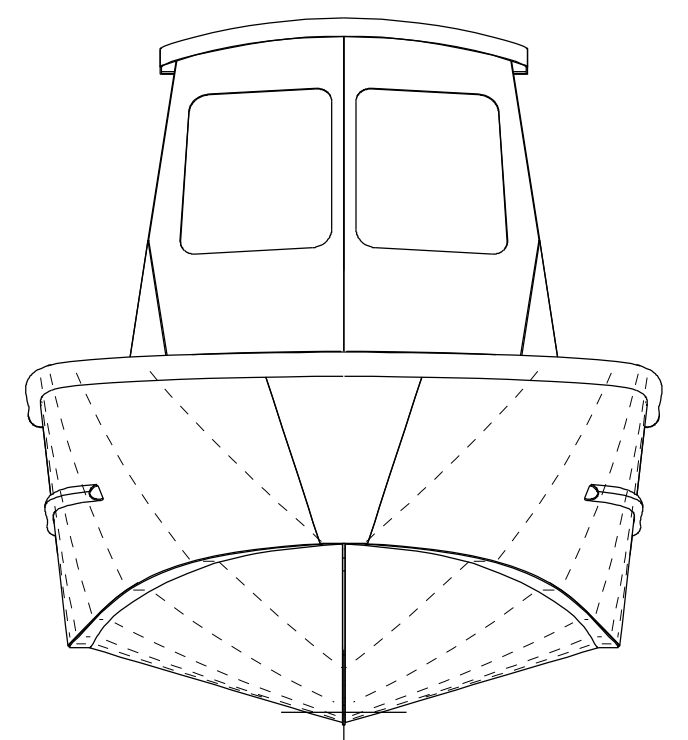
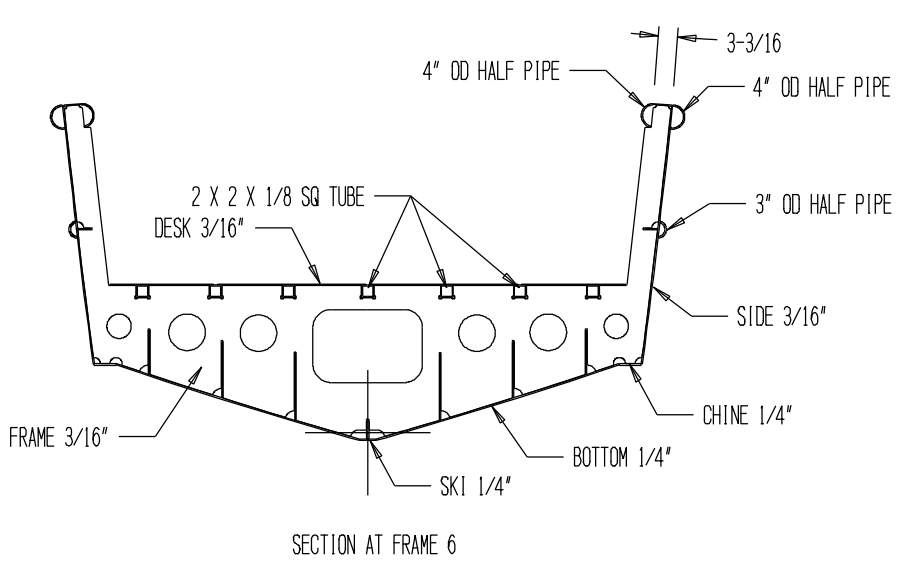
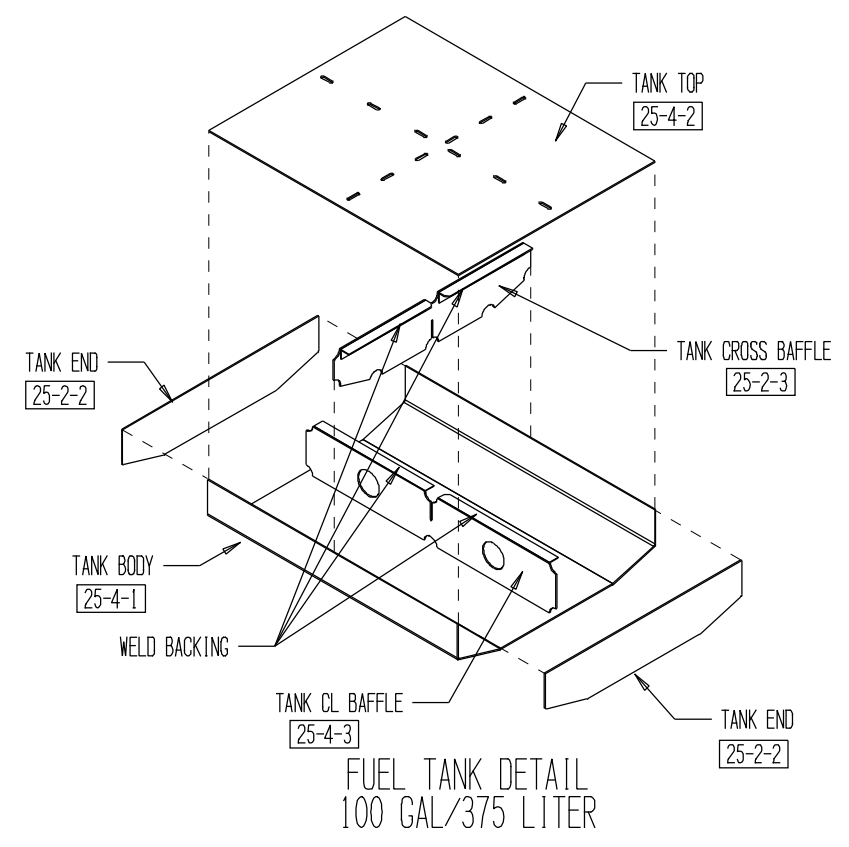
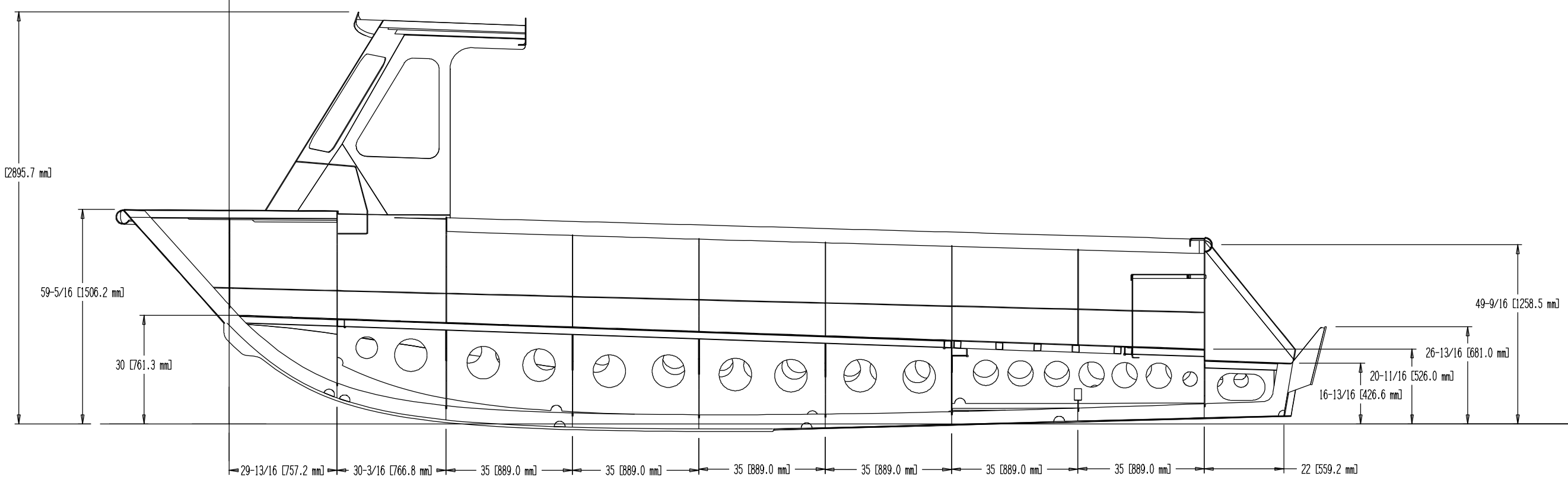
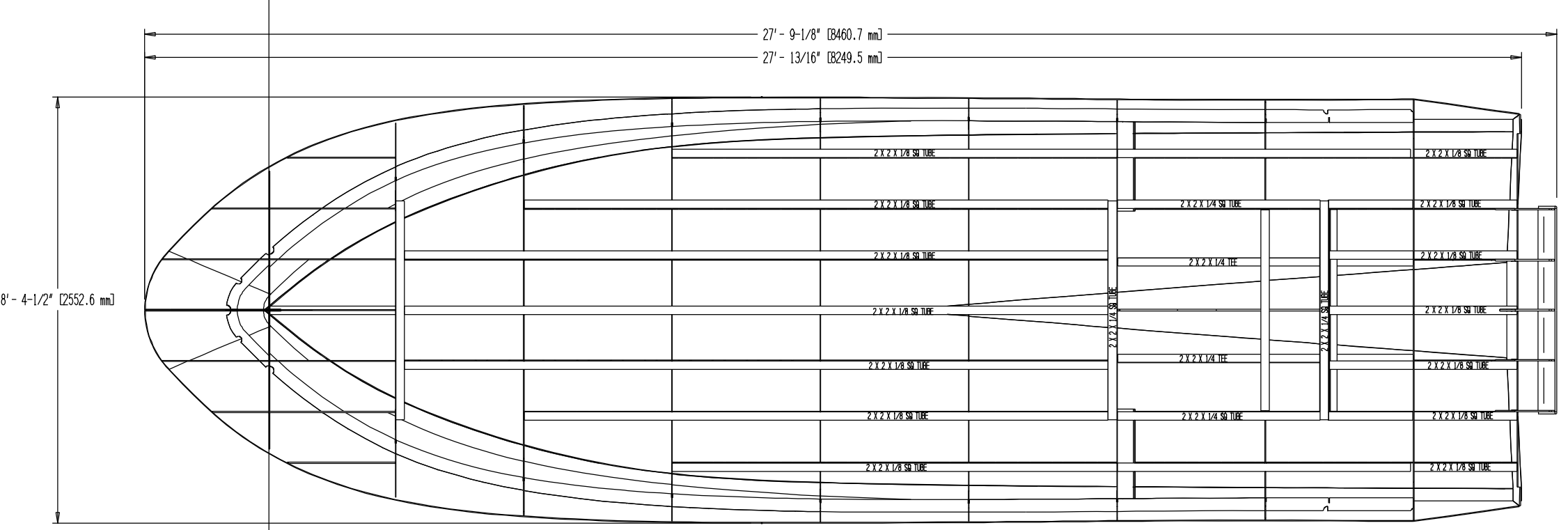
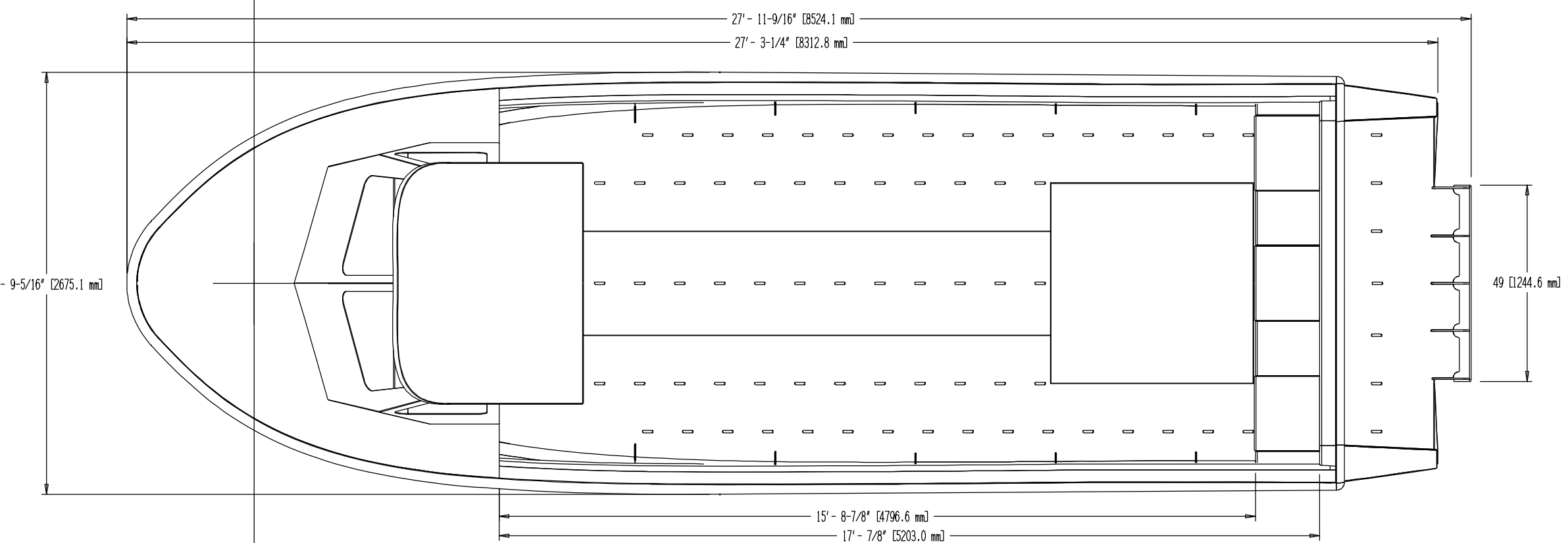


Wt. @ 7684 LBS  
 Wt. @ 5684 LBS (NO CHARGE)



04/14/11

COPYRIGHT ●	SPECIALTY MARINE PO Box 1081, Scappoose, OR, 97056		
	28 X 8.5 WORKBOAT		
SIZE	FSCM NO.	DWG NO.	REV
		1607 VIEWS	A
SCALE 3/8"=1'-0"		SHEET	

THESE PLANS, ACCOMPANYING INSTRUCTIONS, AND/OR SPECIFICATIONS GRANT THE PURCHASER OR CLIENT OF RECORD RIGHTS TO BUILD ONE (1) BOAT THEREFROM. ALL DESIGN MATERIALS REMAIN THE PROPERTY OF SPECIALTY MARINE, WHETHER WORK FOR WHICH THEY ARE MADE BE CONSTRUCTED OR NOT, AND POSSESSION OF ANY OF THESE MATERIALS DOES NOT CONSTITUTE AUTHORITY FOR CONSTRUCTION. REPRODUCTION OR DUPLICATION OF ANY MATERIAL HEREIN IN ANY FORM IS A VIOLATION OF COPYRIGHT UNLESS AUTHORIZED WITH WRITTEN PERMISSION FROM SPECIALTY MARINE.