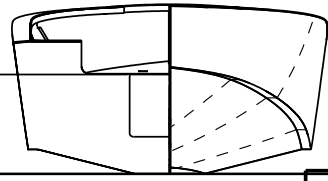
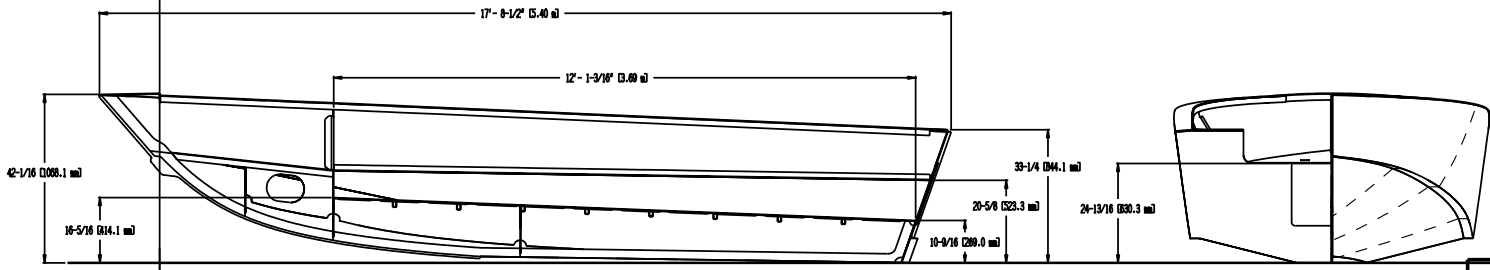
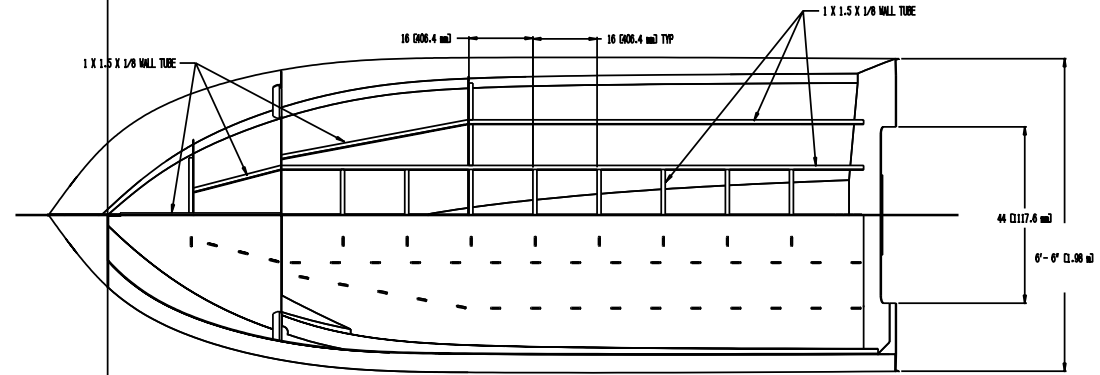
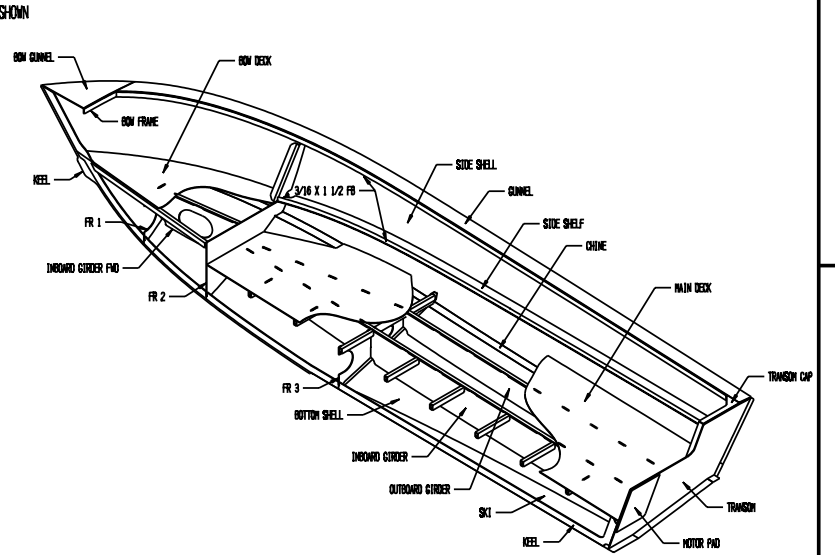
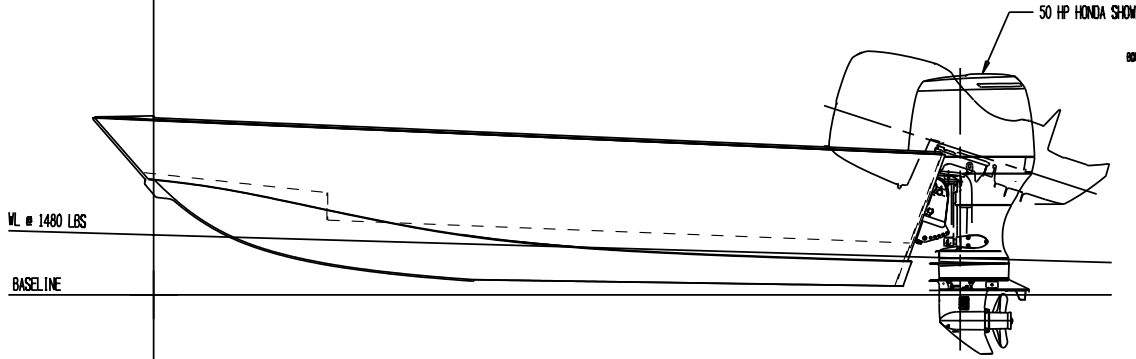


Wt. @ 1480 LBS

BASELINE



EXTRUSIONS:
 1 X 1 1/2 X 1/8 WALL TUBE 608.00 FT
 3/16 X 1 1/2 FLAT BAR 608.00 FT

2/10/06

SPECIALTY MARINE
 PO Box 1081, Escanaba, MI 49829

17'-6" X 6'-6" ORCA
 PORFILE AND PLAN

REV B, 6/2/00 ADDED OUTSIDE PROFILE AND WATERLINE
 REV A CREATE DRAWING

SIZE	FSH NO.	DWG NO.	REV
		1108 VIEWS	B
SCALE 3/4"=1'-0"		SHEET	