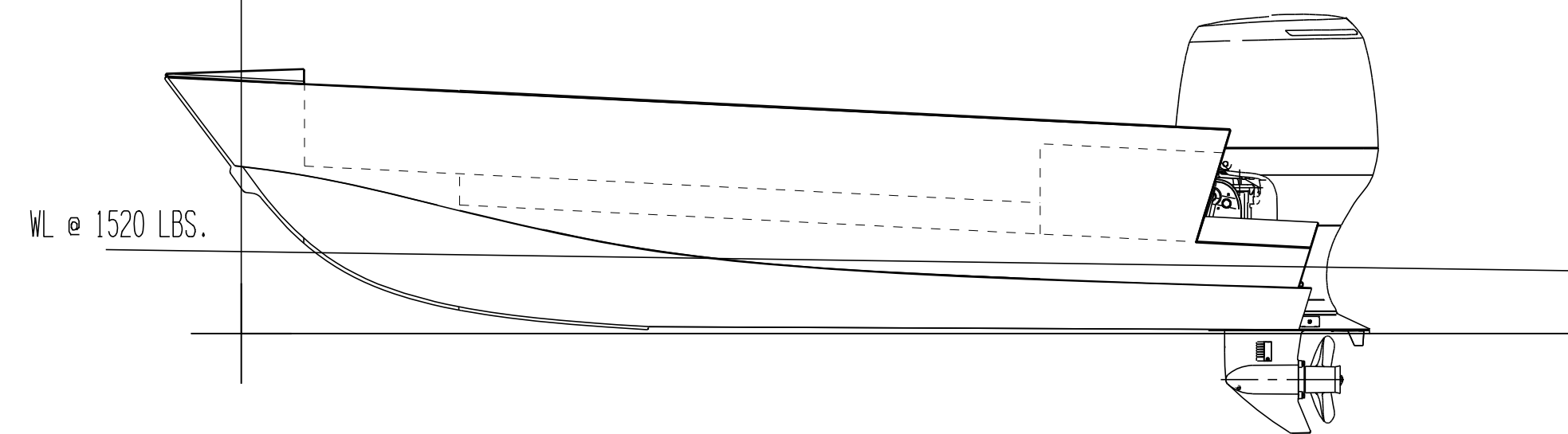
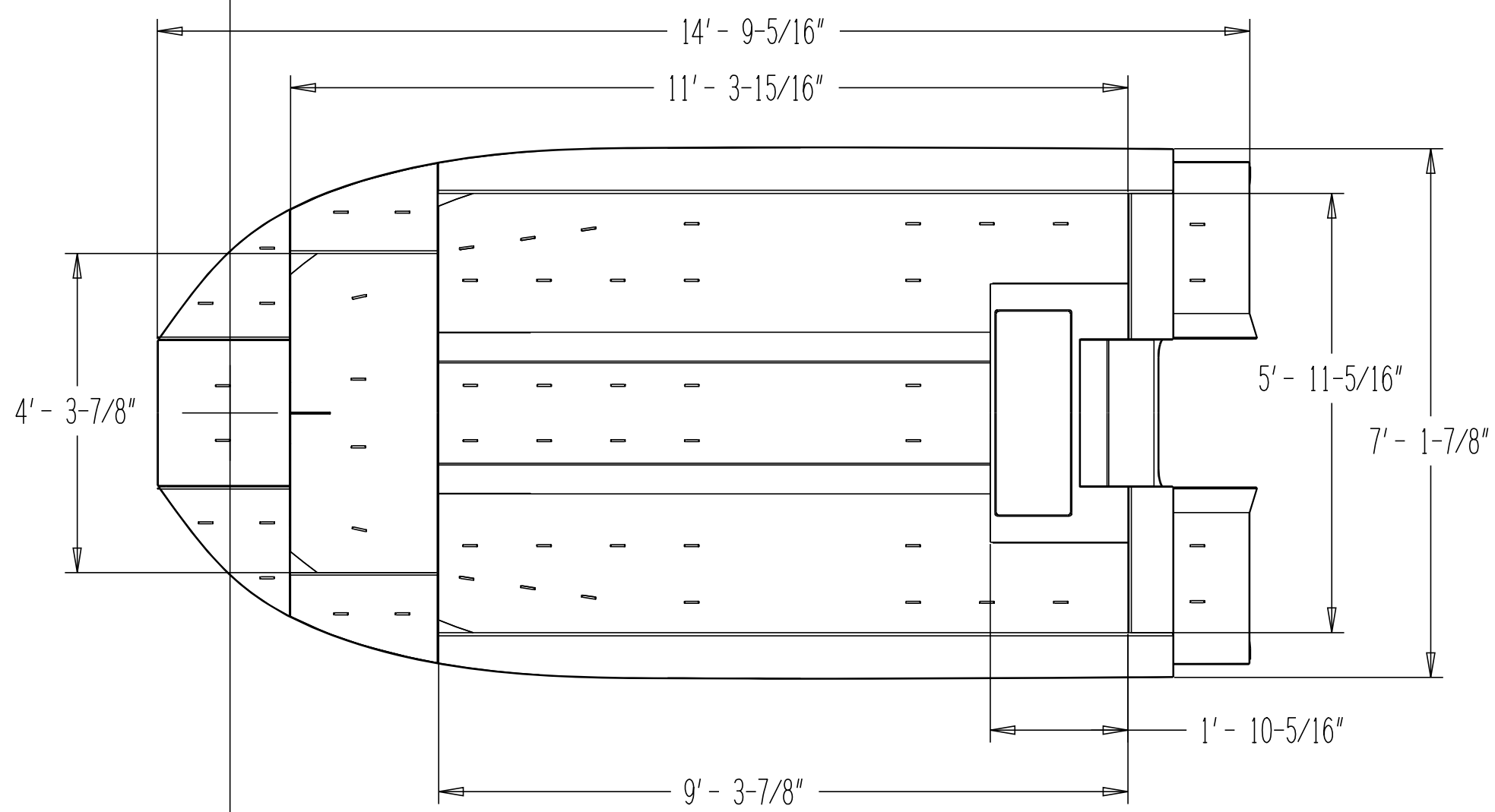
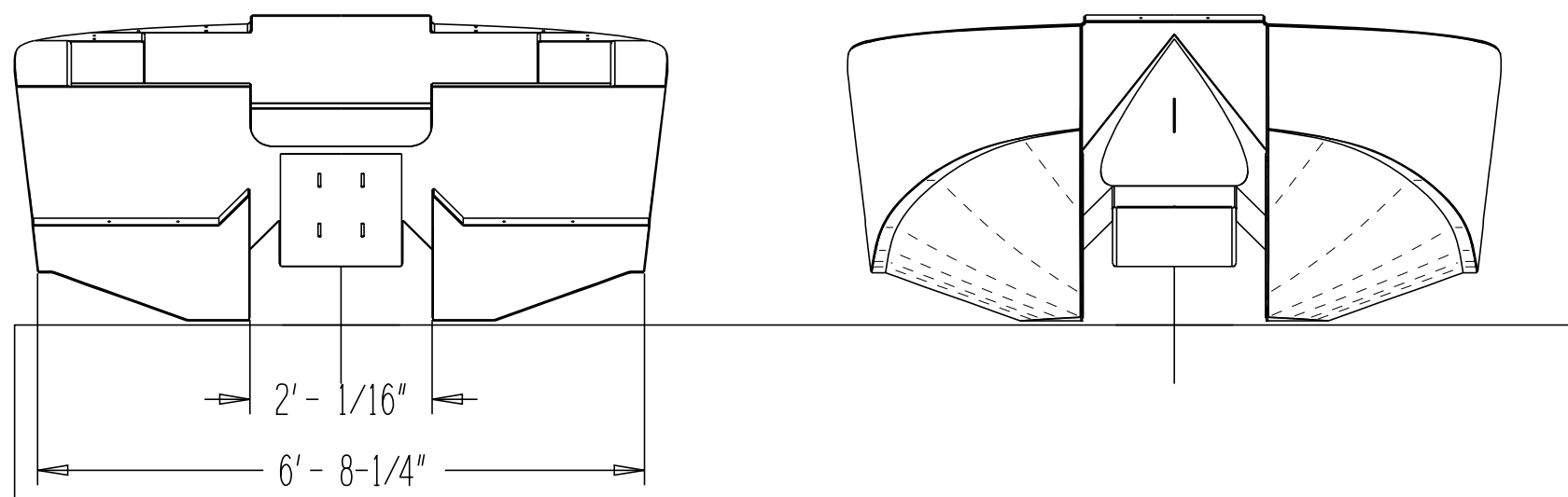
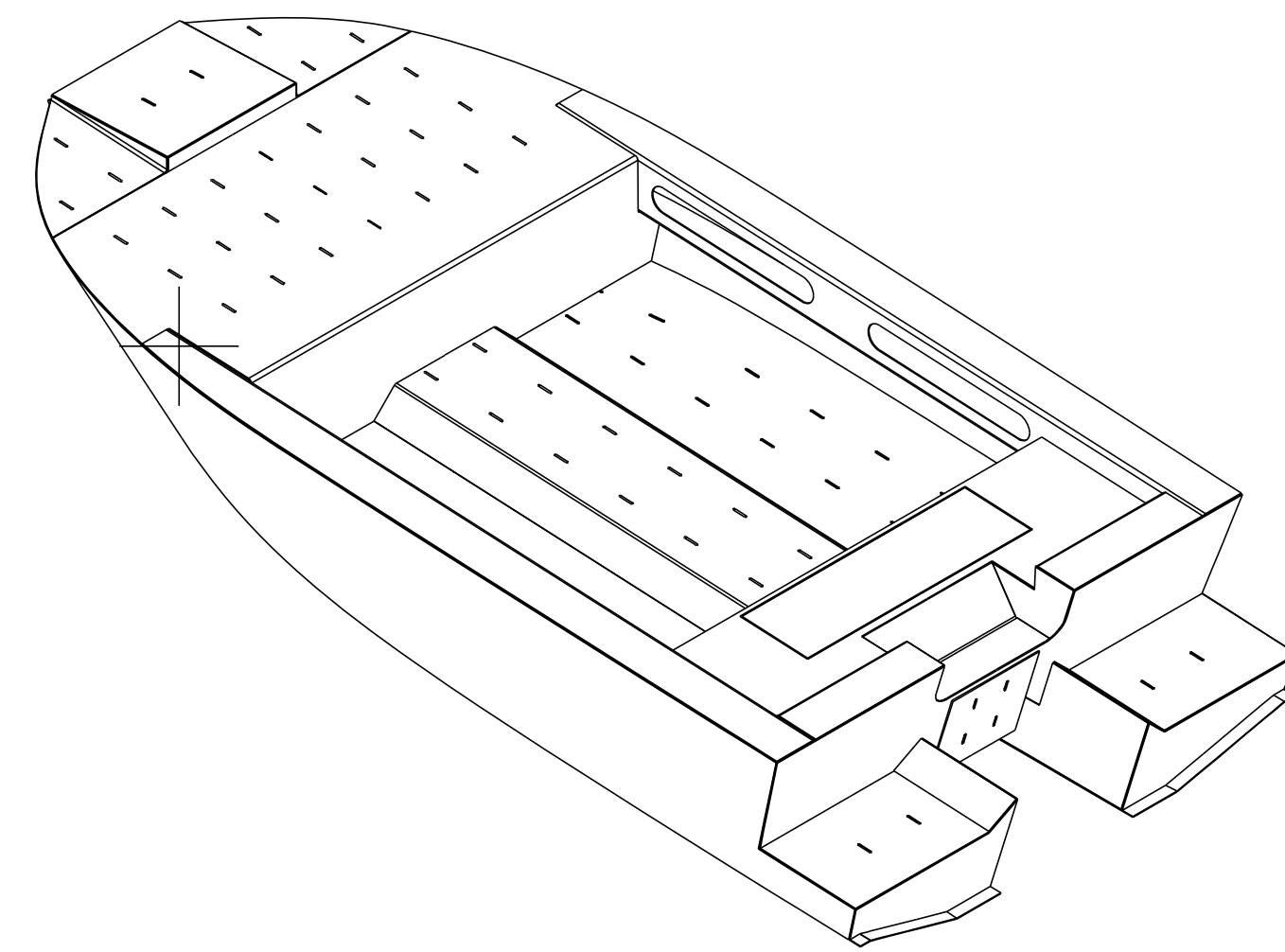


OPTION A
SPECMAR HULL # 2471

OPTIONAL BELOW DECK
FUEL TANK AVAILABLE

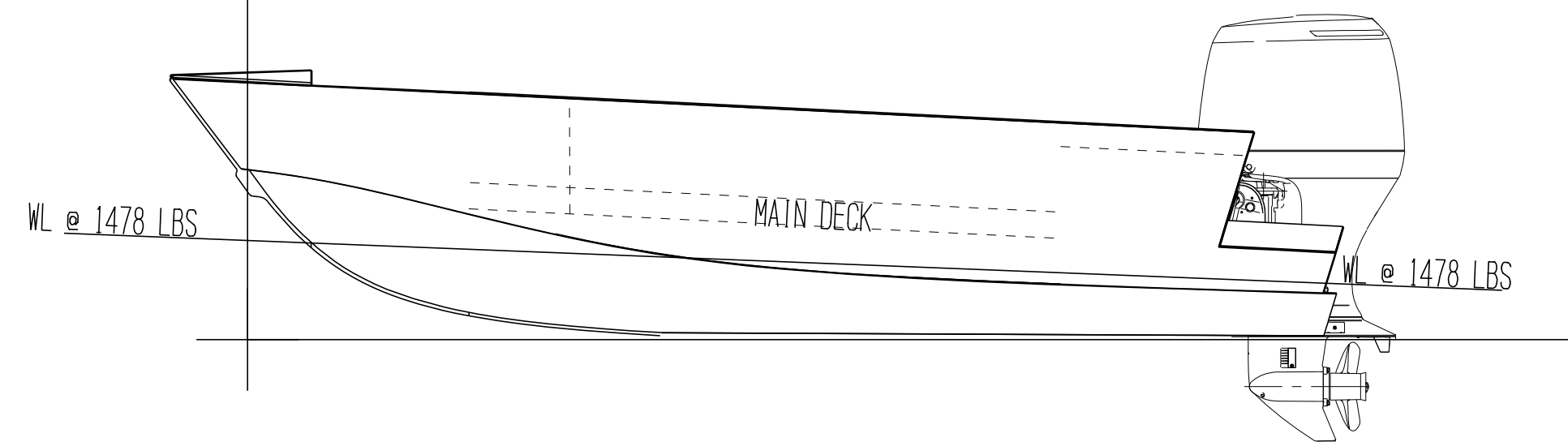
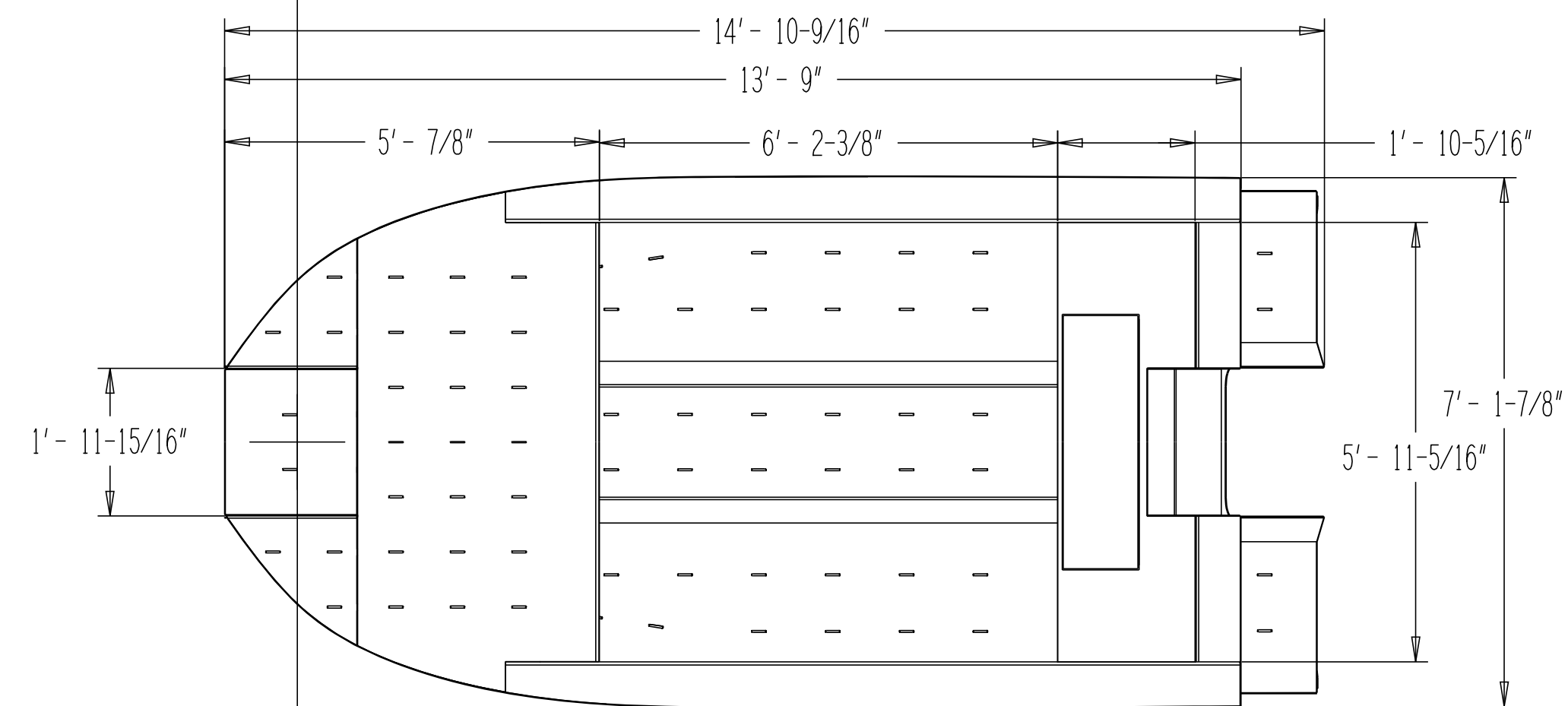
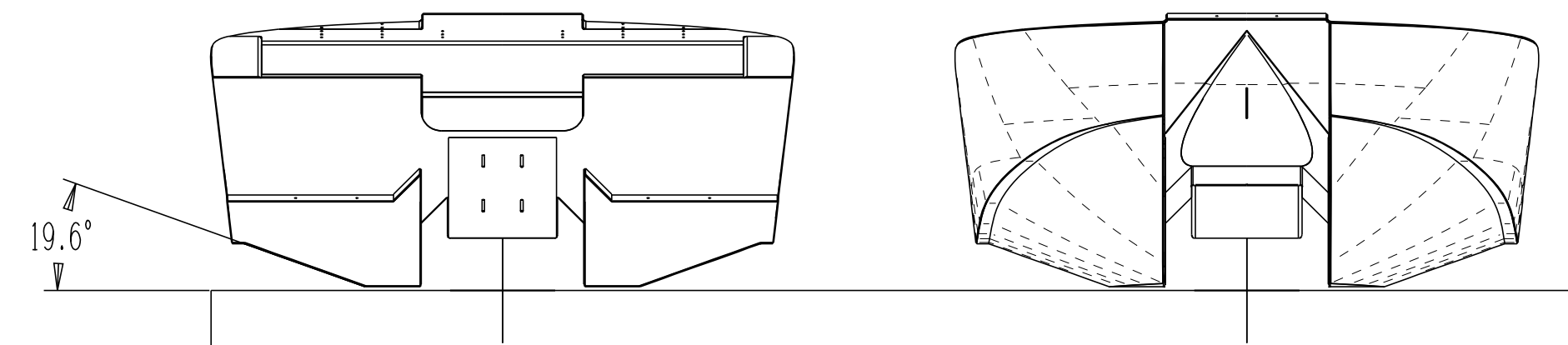


OPTION A
SPECMAR HULL # 2471



OPTION B
SPECMAR HULL # 2211

OPTIONAL BELOW DECK
FUEL TANK AVAILABLE



OPTION B
SPECMAR HULL # 2211

THESE PLANS, ACCOMPANYING INSTRUCTIONS, AND/OR SPECIFICATIONS GRANT THE PURCHASER OR CLIENT OF RECORD RIGHTS TO BUILD ONE (ONE) BOAT THEREFROM. ALL DESIGN MATERIALS REMAIN THE PROPERTY OF SPECIALTY MARINE. WHETHER WORK FOR WHICH THEY ARE MADE BE CONSTRUCTED OR NOT, AND POSSESSION OF ANY OF THESE MATERIALS DOES NOT CONSTITUTE AUTHORITY FOR CONSTRUCTION. REPRODUCTION OR DUPLICATION OF ANY MATERIAL HEREIN IN ANY FORM IS A VIOLATION OF COPYRIGHT UNLESS AUTHORIZED WITH WRITTEN PERMISSION FROM SPECIALTY MARINE.

© COPYRIGHT

SPECIALTY MARINE
PO Box 1081, Scappoose, OR 97056

15 X 7 CAT
2 OPTIONS

SIZE	FSCM NO.	DWG NO.	REV
1/2"=1'0"		2471 INTERNET VIEWS	A

10/12/2018

SHEET