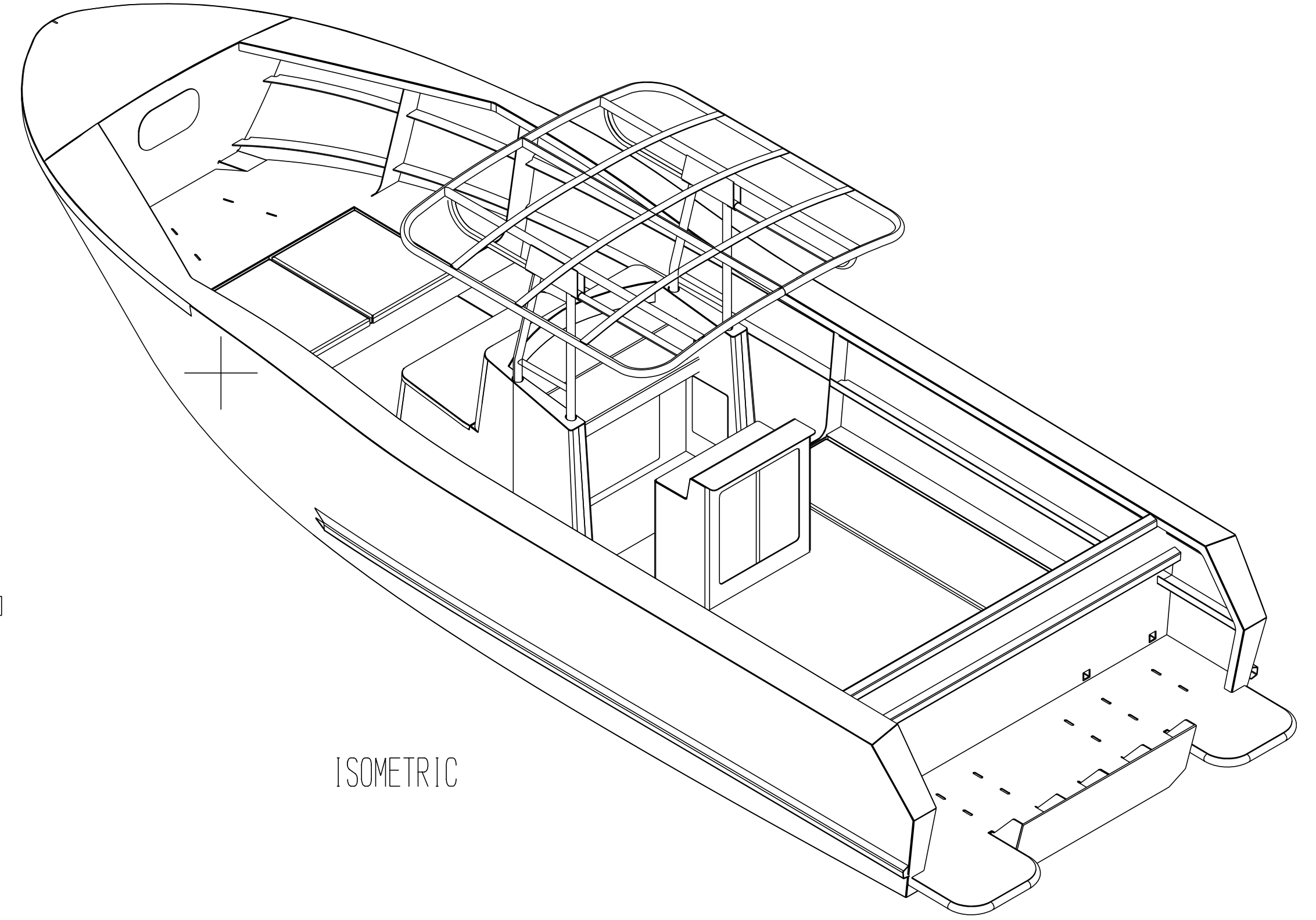
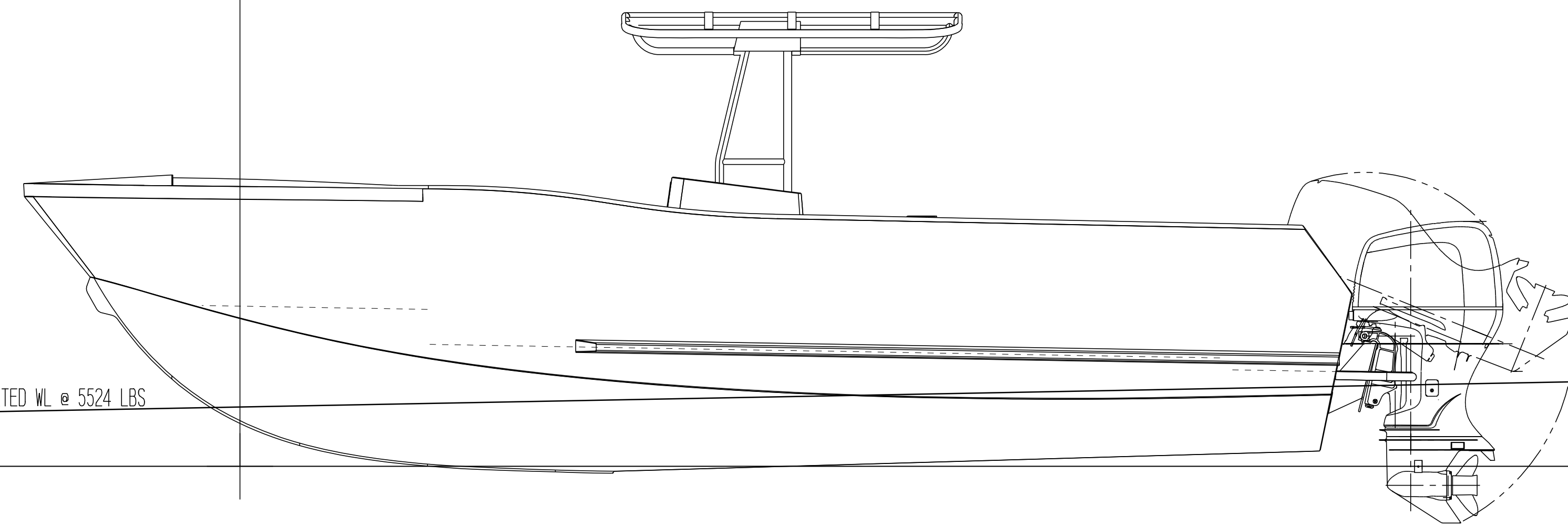


PLAN

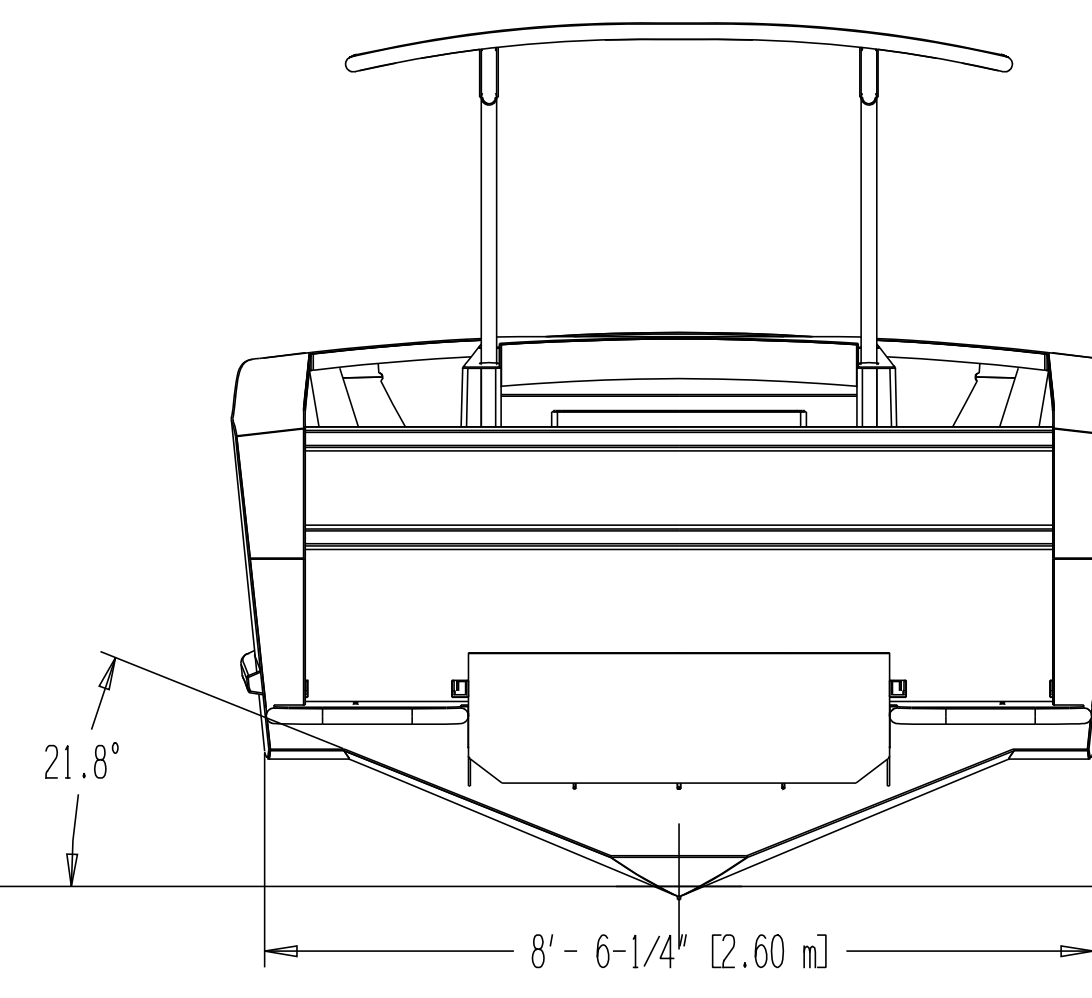


ISOMETRIC



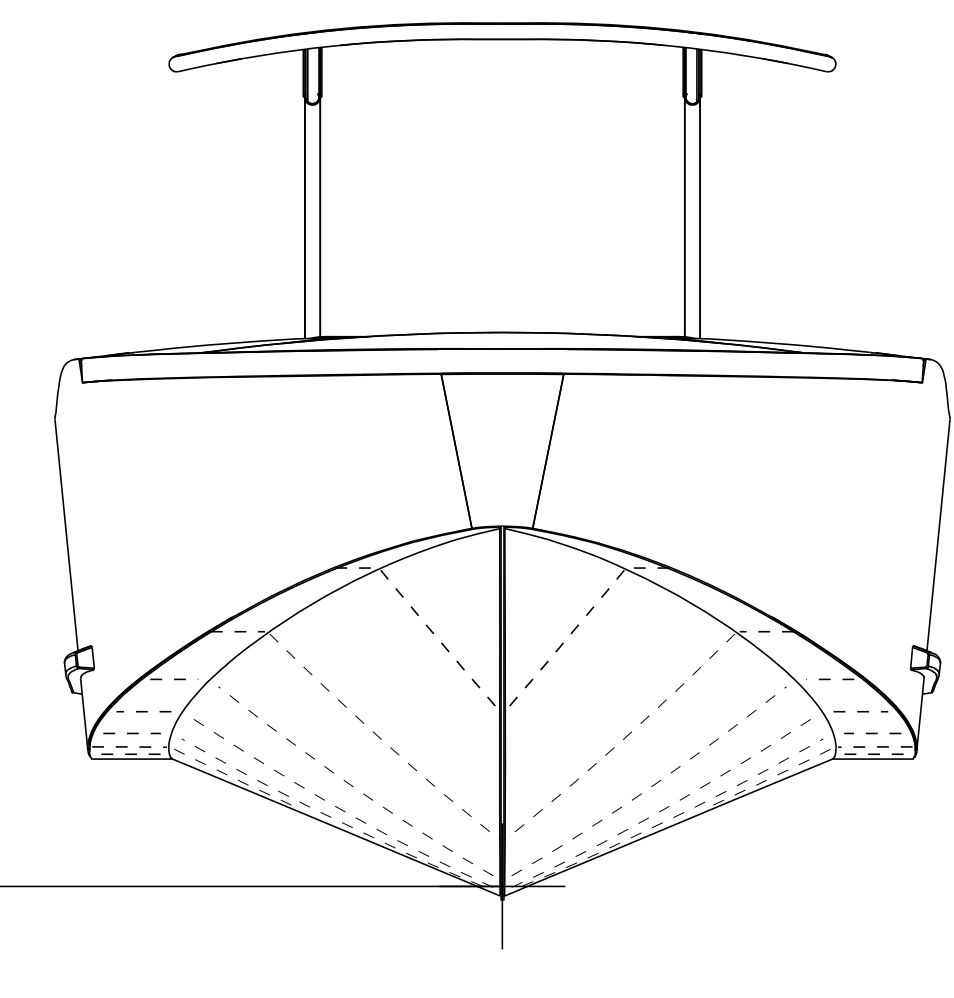
ESTIMATED WL @ 5524 LBS

OUTBOARD PROFILE



21.8°

AFT VIEW LOOKING FORWARD



BOW VIEW LOOKING BACKWARDS

05/08/2018

SPECIALTY MARINE
 PO Box 1081, Scappoose, OR 97056

26.5 X 9.5 SPORT FISHER
 WITH CONSOLE

© COPYRIGHT

THESE PLANS, ACCOMPANYING INSTRUCTIONS, AND/OR SPECIFICATIONS GRANT THE PURCHASER OR CLIENT OF RECORD RIGHTS TO BUILD ONE (1) BOAT THEREFROM. ALL DESIGN MATERIALS REMAIN THE PROPERTY OF SPECIALTY MARINE. WHETHER WORK FOR WHICH THEY ARE MADE BE CONSTRUCTED OR NOT, AND POSSESSION OF ANY OF THESE MATERIALS DOES NOT CONSTITUTE AUTHORITY FOR CONSTRUCTION, REPRODUCTION OR DUPLICATION OF ANY MATERIAL HEREIN IN ANY FORM IS A VIOLATION OF COPYRIGHT UNLESS AUTHORIZED WITH WRITTEN PERMISSION FROM SPECIALTY MARINE.

SIZE	FSCM NO.	DWG NO.	2434 INTERNET VIEWS	REV
1/2"=1'0"				A
SCALE			SHEET	