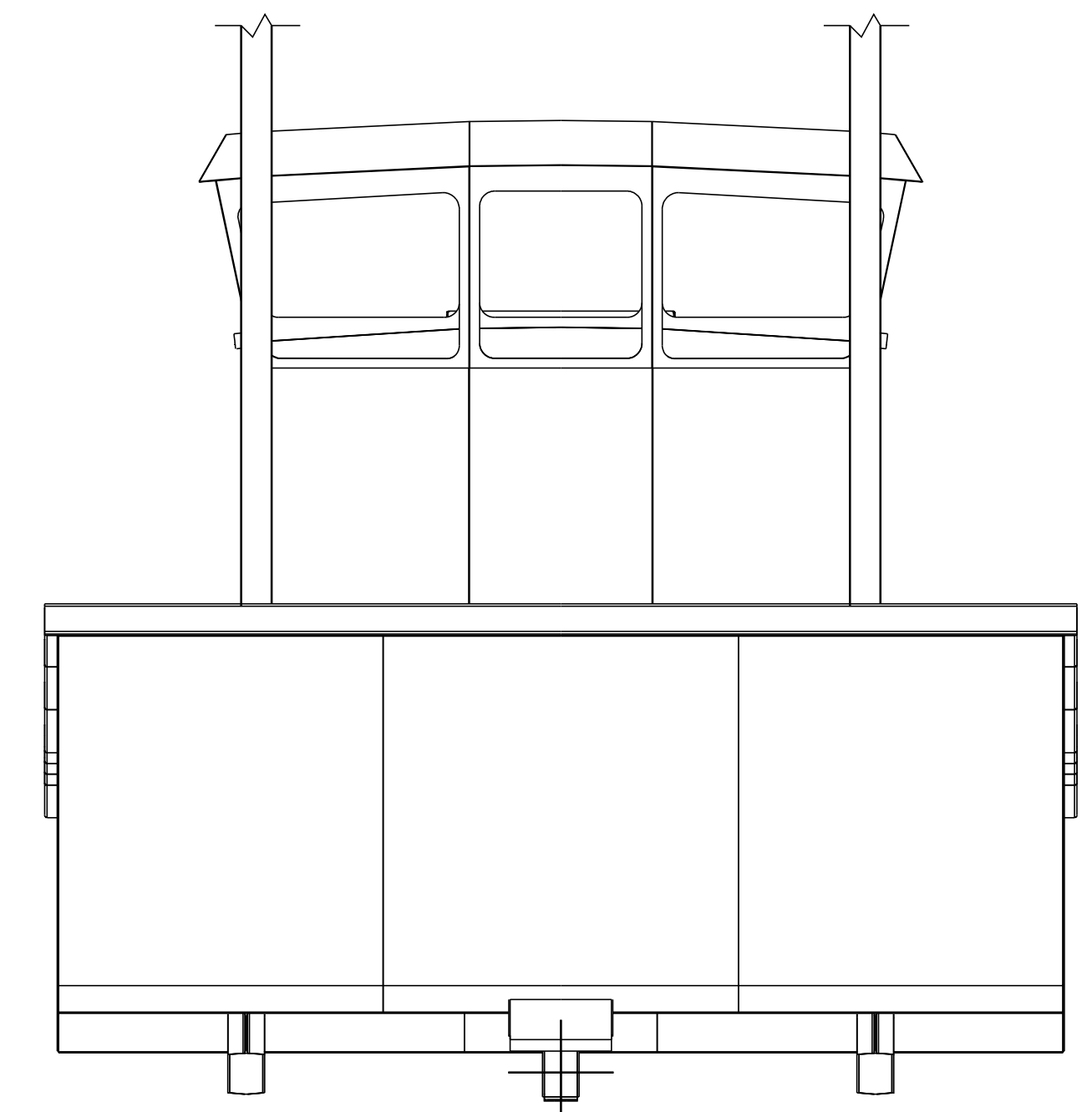


1000 GALLON BALLAST TANKS

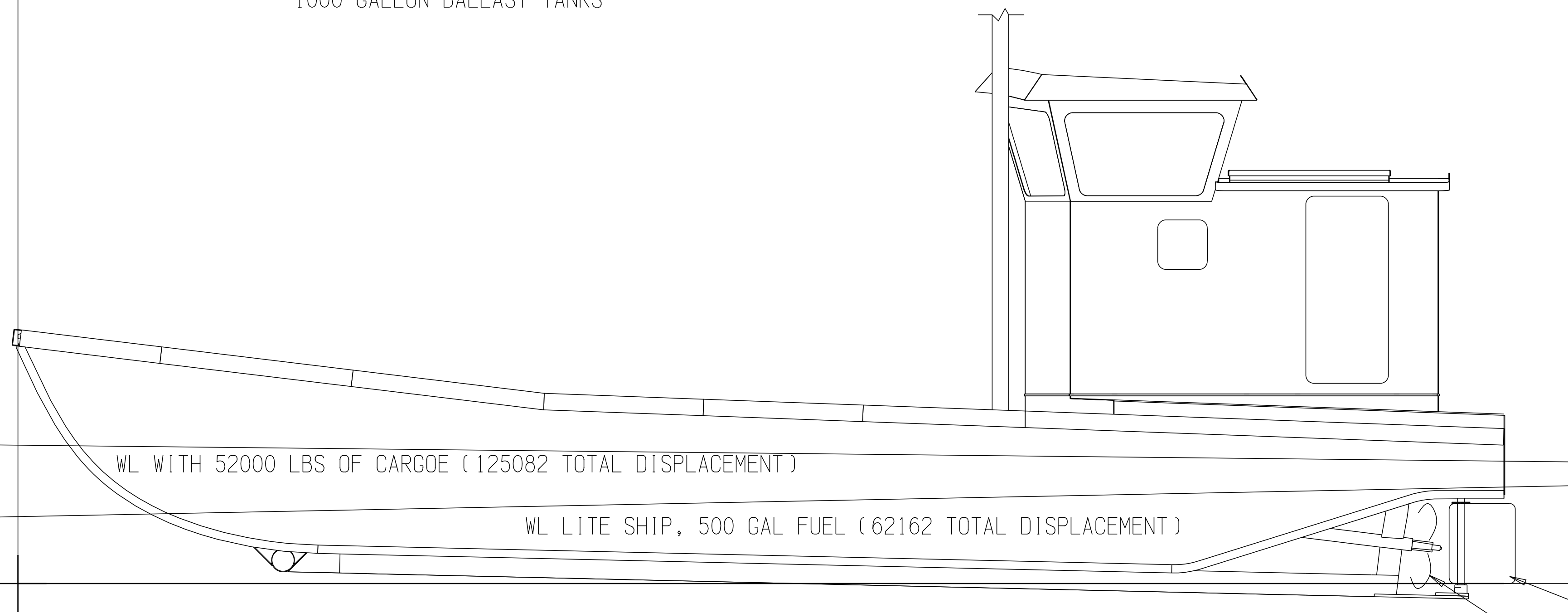
DECK PLAN



6 X 6 X 1/2 WALL STAINLESS TUBE

VIEW AT BOW LOOKING AFT

6 X 6 X 1/2 WALL STAINLESS TUBE

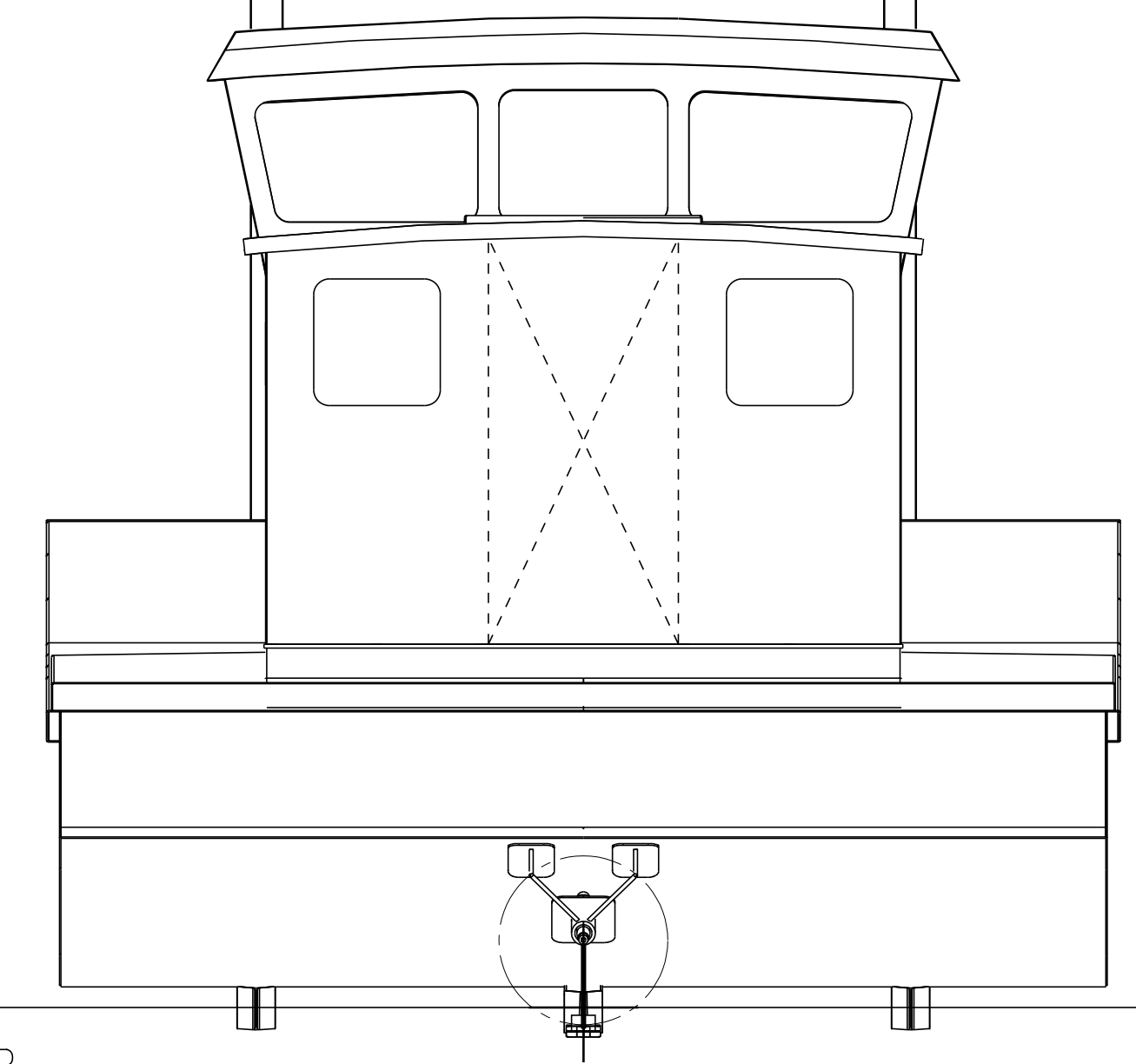


WL WITH 52000 LBS OF CARGOE (125082 TOTAL DISPLACEMENT)

WL LITE SHIP, 500 GAL FUEL (62162 TOTAL DISPLACEMENT)

BASELINE

OUTBOARD PROFILE PORT SIDE



3/8 PLATE RUDDER

VIEW AT STERN LOOKING FORWARD

32" DIAMETER PROPELLOR

HULL AND INTERNALS ARE STEEL  
CABIN IN ALUMINUM

5/26/2008

COPYRIGHT	SPECIALTY MARINE PO Box 1081, Scappoose, OR. 97056		
	45 X 17 OYSTER SCOW GENERAL ARRANGEMENT		
SIZE	FSDM NO.	DWG NO.	REV
		1308 INTERNET VIEWS	A
SCALE 3/8"=1'-0"			SHEET

THESE PLANS, ACCOMPANYING INSTRUCTIONS, AND/OR SPECIFICATIONS GRANT THE PURCHASER OR CLIENT OF RECORD RIGHTS TO BUILD ONE BOAT THEREFROM. ALL DESIGN MATERIALS REMAIN THE PROPERTY OF SPECIALTY MARINE, WHETHER WORK FOR WHICH THEY ARE MADE BE CONSTRUCTED OR NOT, AND POSSESSION OF ANY OF THESE MATERIALS DOES NOT CONSTITUTE AUTHORITY FOR CONSTRUCTION. REPRODUCTION OR DUPLICATION OF ANY MATERIAL HEREIN IN ANY FORM IS A VIOLATION OF COPYRIGHT UNLESS AUTHORIZED WITH WRITTEN PERMISSION FROM SPECIALTY MARINE.