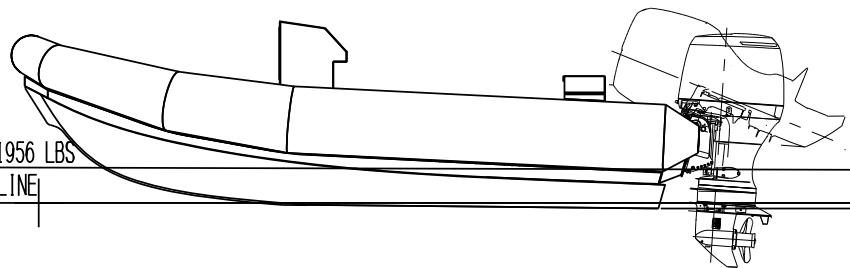
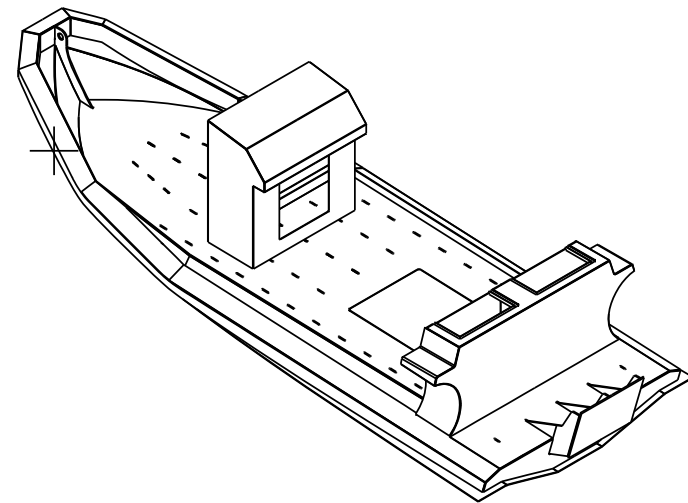
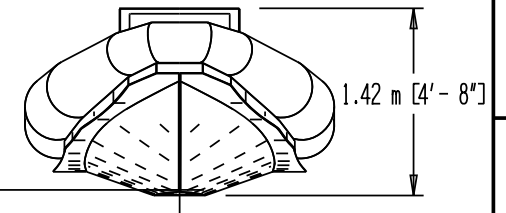
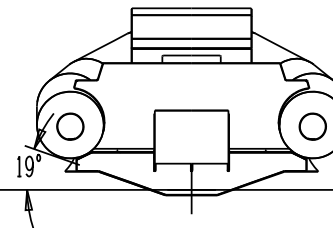


INBOARD AREA PER ABYC 28.9.2.2.1 = 7068 SQUARE INCHES
 X AREA = 726 SQUAE INCHES



WL @ 1956 LBS
 BASELINE



	SPECIALTY MARINE <small>PO Box 1081 - Seaside, OR 97138</small>		6/3/2010
	17' OUTBOARD RIB 5.2 METER		
SIZE	FRSH NO.	QTY NO.	REV.
SCALE 3/4" = 1'-0"	1533	VIEWS 1	B
		SHEET	1