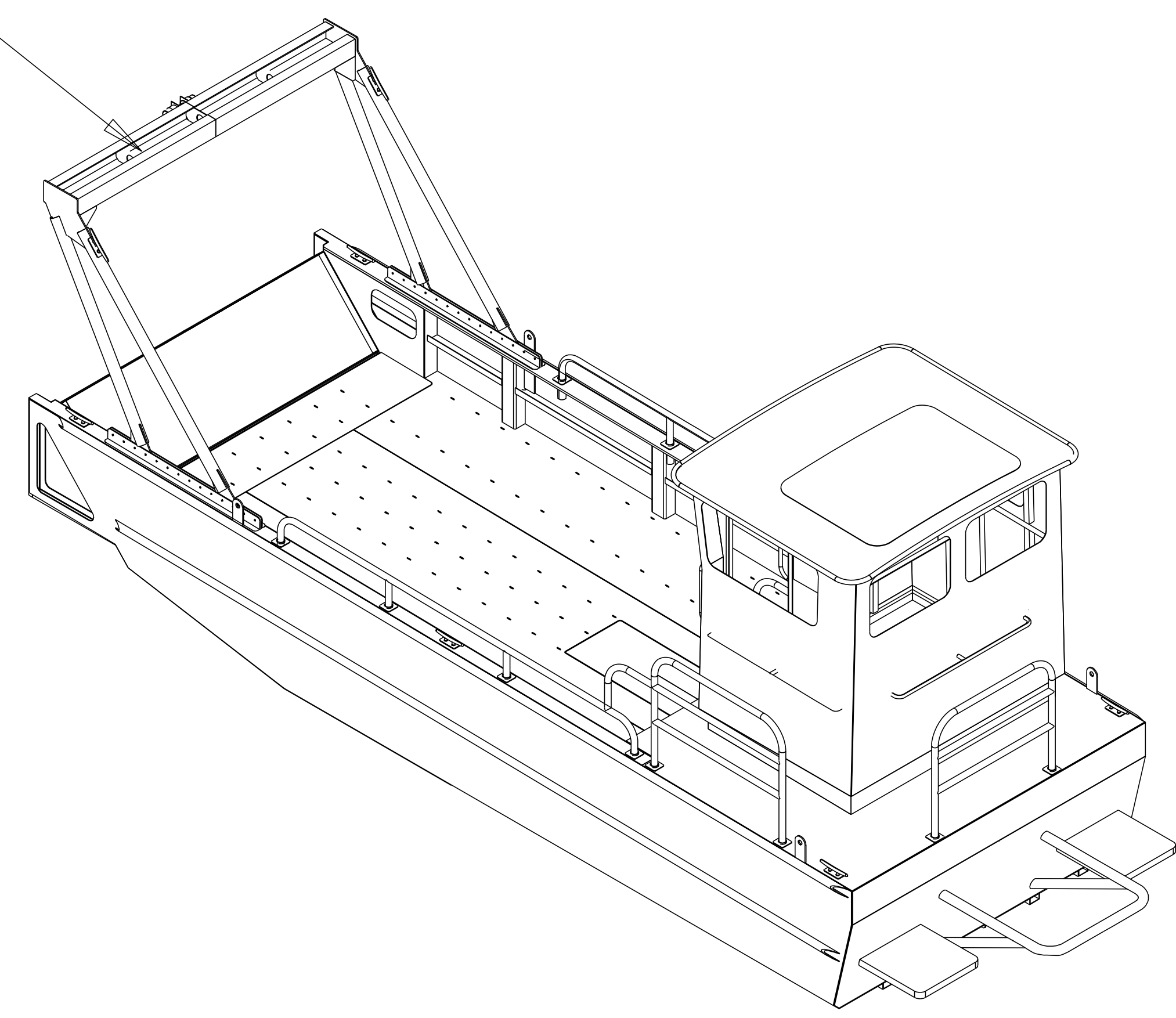
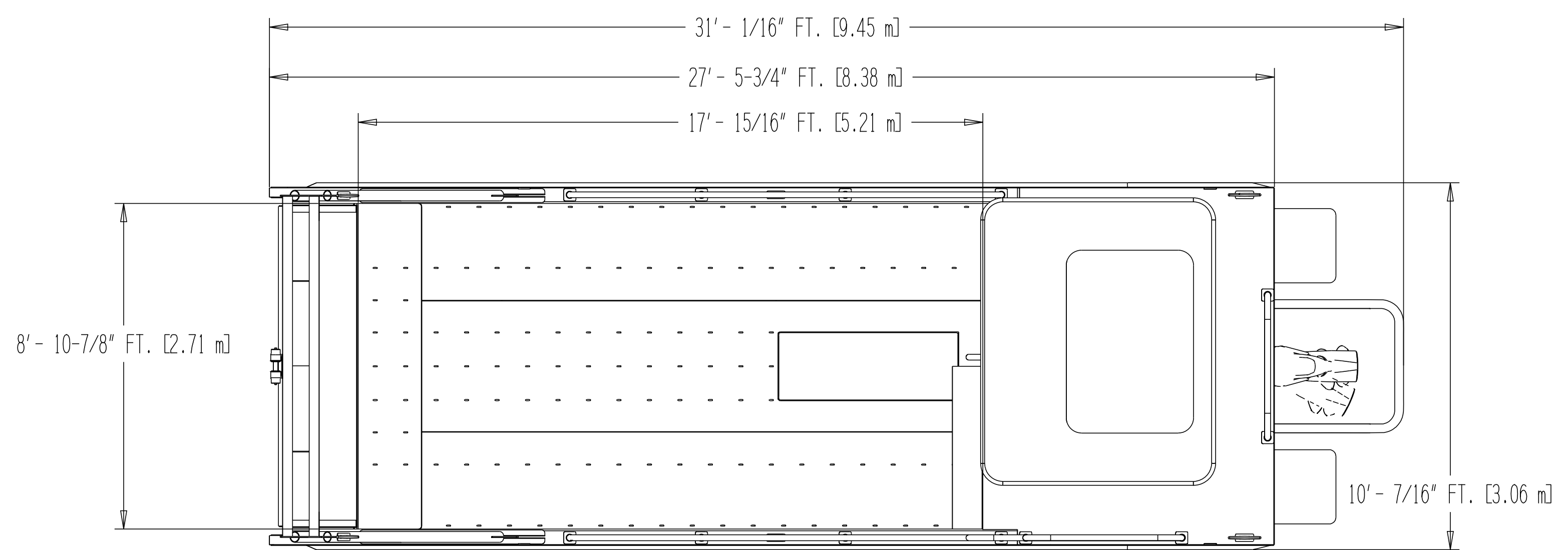


8 7 6 5 4 3 2 1

D

D

A FRAME OPTIONAL

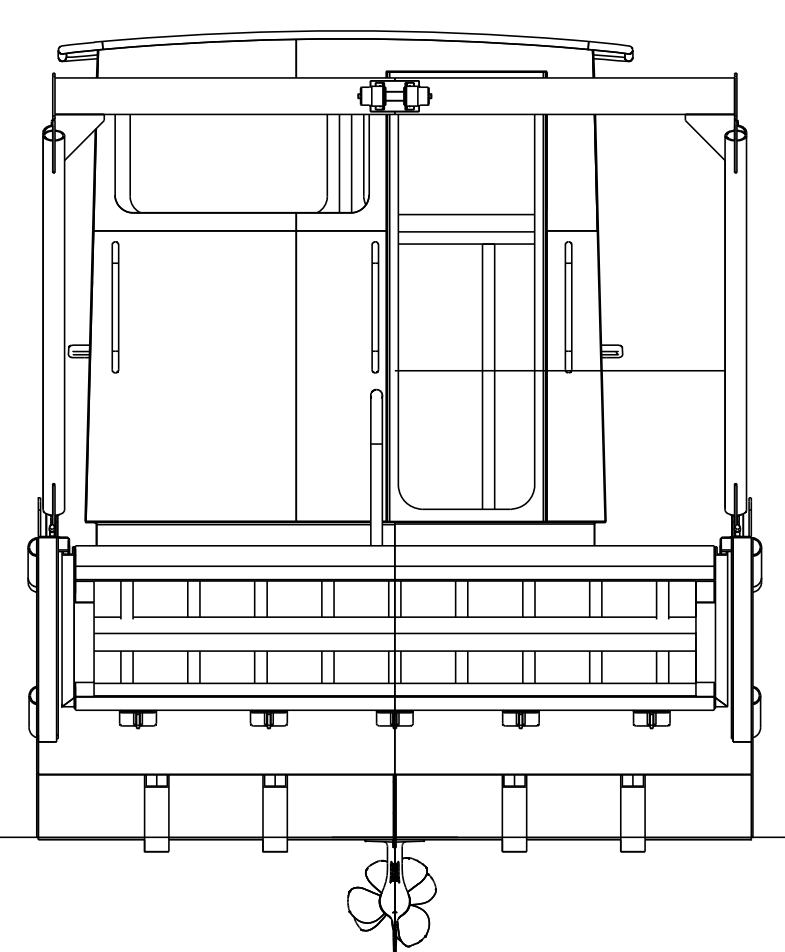
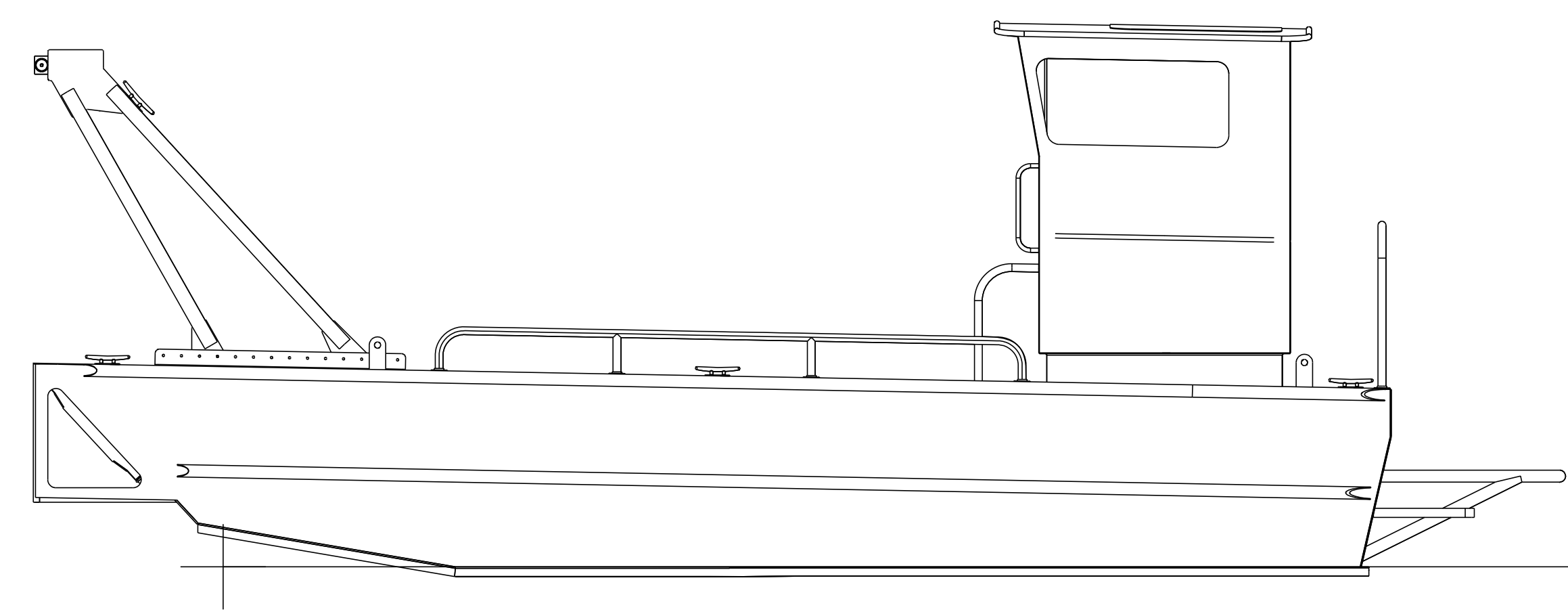


C

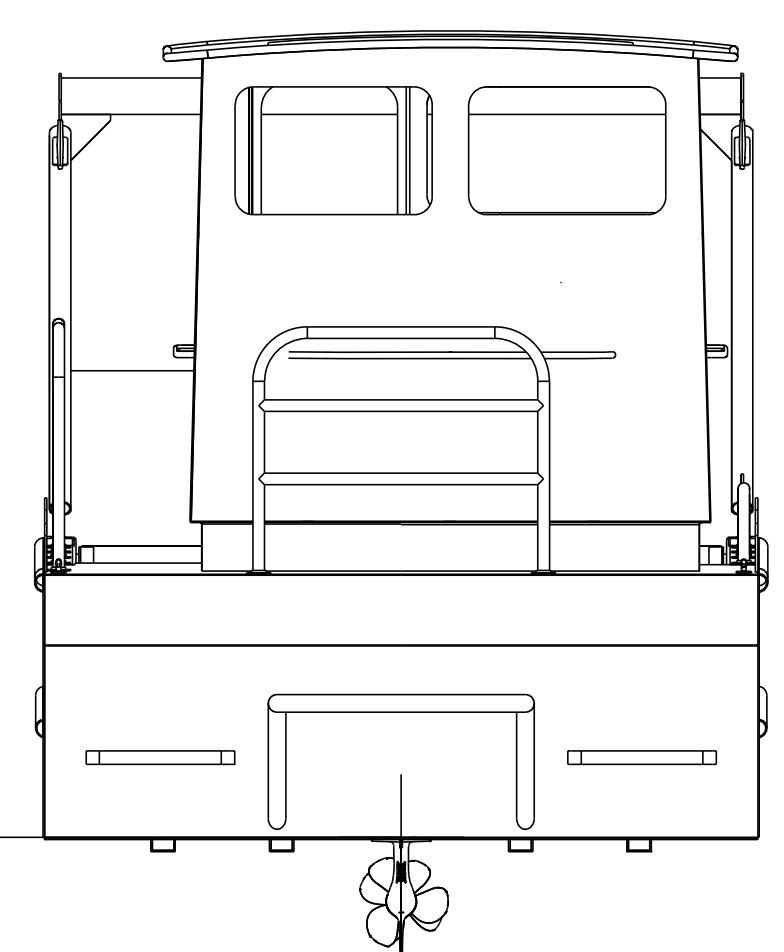
C

B

B



BOW LOOKING AFT



AFT LOOKING FORWARD


A

A

A FRAME OPTIONAL

06/22/2016

THESE PLANS, ACCOMPANYING INSTRUCTIONS, AND/OR SPECIFICATIONS GRANT THE PURCHASER OR CLIENT OF RECORD RIGHTS TO BUILD ONE BOAT THEREFROM. ALL DESIGN MATERIALS REMAIN THE PROPERTY OF SPECIALTY MARINE. WHETHER WORK FOR WHICH THEY ARE MADE BE CONSTRUCTED OR NOT, AND POSSESSION OF ANY OF THESE MATERIALS DOES NOT CONSTITUTE AUTHORITY FOR CONSTRUCTION. REPRODUCTION OR DUPLICATION OF ANY MATERIAL HEREIN IN ANY FORM IS A VIOLATION OF COPYRIGHT UNLESS AUTHORIZED WITH WRITTEN PERMISSION FROM SPECIALTY MARINE.

COPYRIGHT	SPECIALTY MARINE PO Box 1081, Scappoose, OR 97056		
	27.5 X 10 WORK BARGE		
SIZE	FSCM NO.	DWG NO.	REV
		1747 INTERNET VIEWS	A
SCALE 3/8"=1'-0"			SHEET

8 7 6 5 4 3 2 1