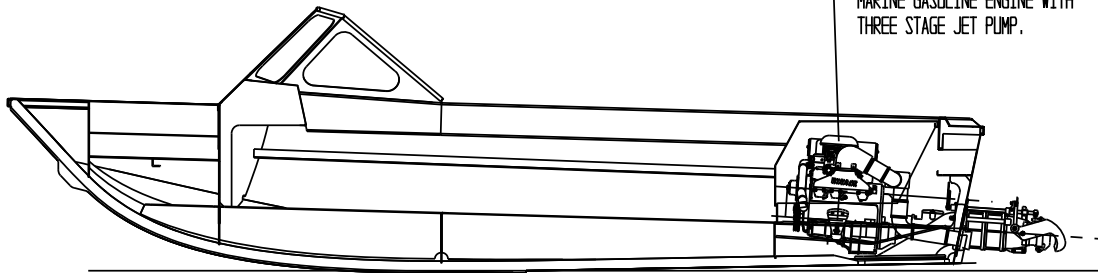
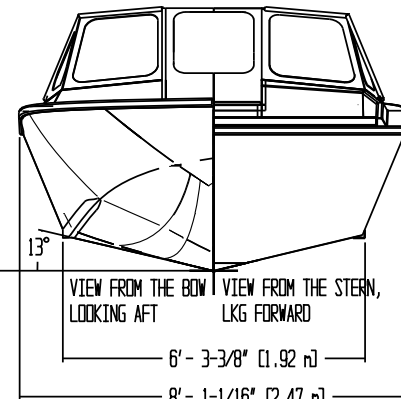


8' - 7/8" [2.46 m]



5.7 LITER SHORT COUPLED KODIAK  
MARINE GASOLINE ENGINE WITH  
THREE STAGE JET PUMP.



VIEW FROM THE BOW, LOOKING AFT | VIEW FROM THE STERN, LKG FORWARD

6' - 3-3/8" [1.92 m]

8' - 1-1/16" [2.47 m]

6/24/04

SPECIALTY MARINE		
PO Box 1981, Seaside, OR 97138		
20' 3" X 8' SPORTSTER		
GENERAL ARRANGEMENT		
SIZE FROM NO.	DWG NO.	922 VIEWS
SCALE 3/4"=1'0"		SHEET