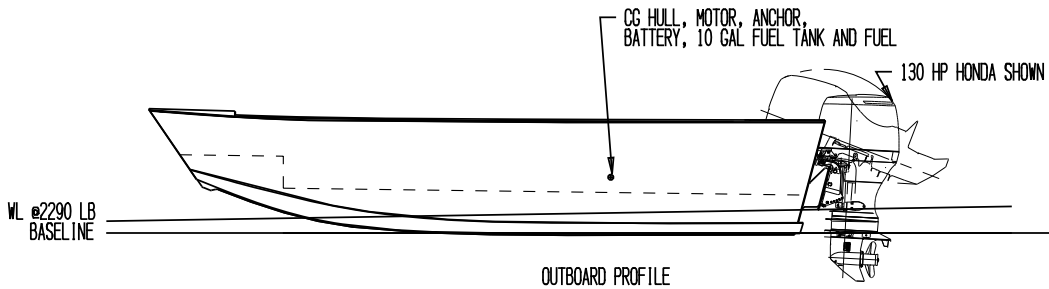
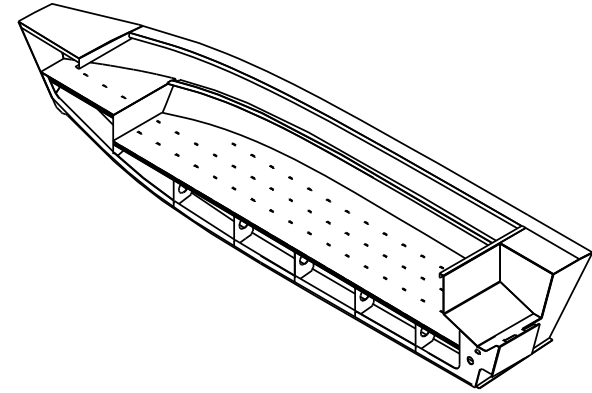
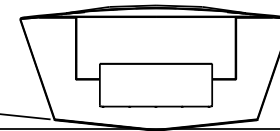


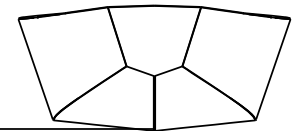
PLAN



OUTBOARD PROFILE



STERN VIEW



BOW VIEW

SMALL COVERED CONSOLE ENCLOSURE AVAILABLE AS AN OPTION.

	SPECIALTY MARINE <small>PO Box 1081, Seaside, OR 97138</small>		
	21 OUTBACK VIEWS		
SIZE FROM NO.	ENG. NO.	406 VIEWS	REV. B
SCALE 1/2"=1'-0"	SHEET		

01/14/10